

# OMNIMATE Housing

## Housings for Electronics

### OMNIMATE Housing Housings for Electronics

#### OMNIMATE Housing

Explanation	I.2
Orientation guide	I.4

#### CH20M

Explanation	I.6
Orientation guide	I.12
Technical data	I.14

#### WAVEBOX

Explanation	I.34
Orientation guide	I.36
Technical data	I.38

#### MICROBOX / TERMINALBOX

Explanation	I.44
Technical data	I.46

#### Profile housing

Explanation	I.48
Orientation guide	I.50
Technical data	I.52

# OMNIMATE Housing Housings for Electronics

The perfect platform for form and function – including terminal layouts, bulk products and “tailor-made suits straight off the rack”.

Weidmüller’s electronics provide a state-of-the-art platform for electronics applications: for all design types and usage areas. The application and its requirements are the foundation for the housing design:

Component housings using the standard pitch sizes are particularly well suited for standardised electrical cabinet applications.

Because of their excellent flexibility and variability, profile housings are the perfect solution for custom constructions and small-batch series.

The perfect blend of design, connection technology and functionality result in a design that is well tailored to market and application requirements.



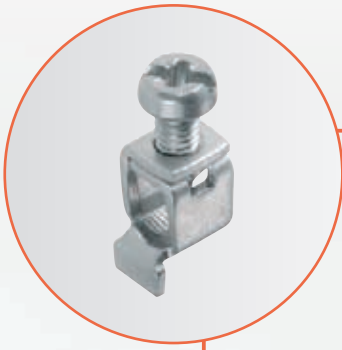
### Flexibility

Profile housing – the perfect solution for custom constructions and small-batch series.



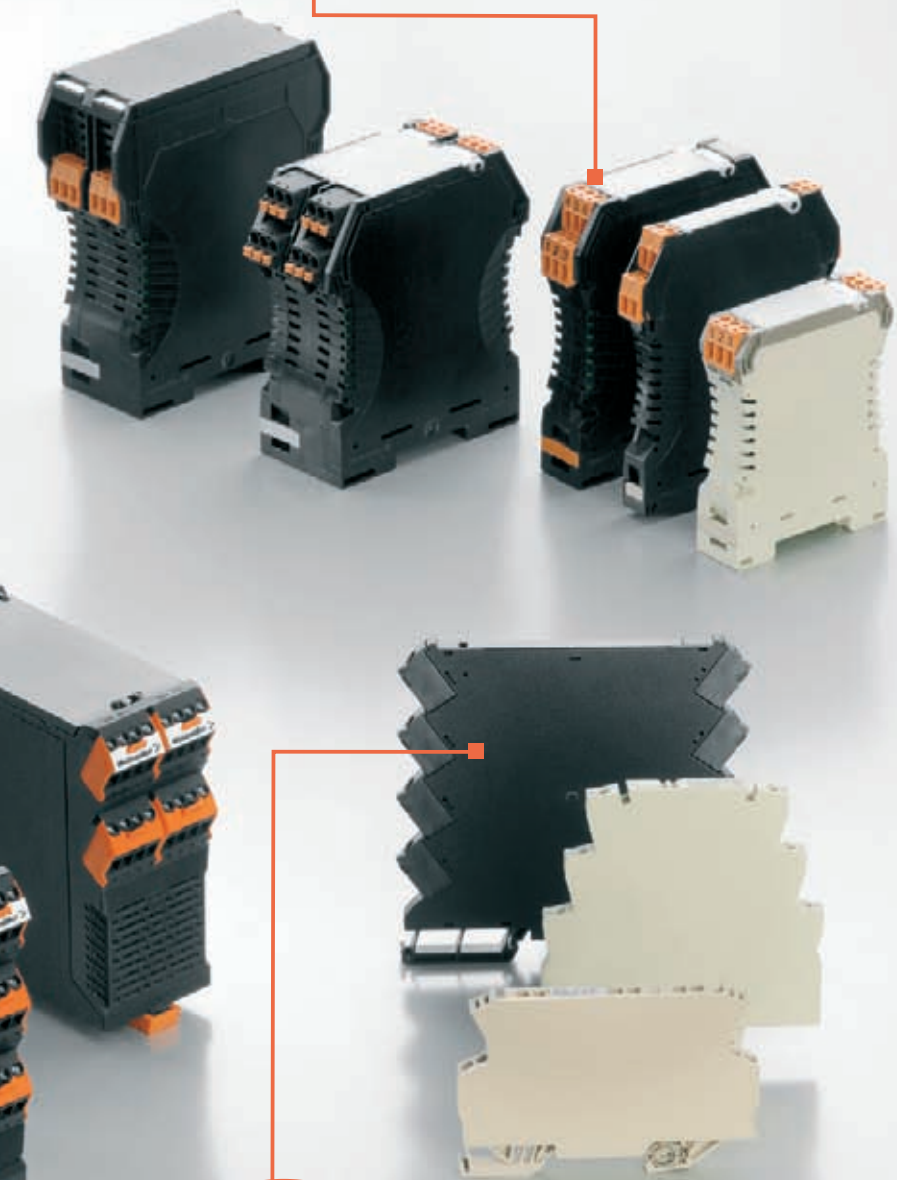
### Innovation

Attention to detail: with the integrated, captive “AutoSet” coding function.



**Reliability**

Weidmüller's legendary quality and well-established, proven connection technology guarantee maximum availability for your systems.



**Efficiency**

Reduce costs and increase productivity: SMT/SMD connectors packed suitably for fully automated production.

**Component housing for mounting on rail**



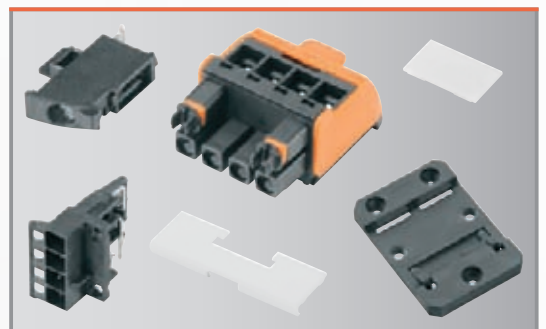
Component housing: function, form and processing all contribute to a single cohesive unit that offers safety, manufacturing efficiency and usability.

**Assembly housing in profile shape**



Assembly housing in profile shape - the flexible modular system of coloured and transparent plastic profiles and support modules provides the optimum balance between flexibility and efficiency.

**Accessories**



Comprehensive range of system accessories for integrating your assembled electronics "package" into the system environment - from attachment and connection to marking systems.

## OMNIMATE Housing Orientation guide

### Electronics housings

With 6 housing systems, Weidmüller's electronics housing portfolio offers a platform for electronic applications in any design and for all application areas.

Detailed design information and the most important product-related data is available on the respective product pages. Data sheets and CAD models are available online for download.

### CH20M - Modular component housing Page I.6



### WAVEBOX - Standard component housing Page I.34



#### System description (key points)

Scalability  
Widths  
Design  
Production  
Application

#### Connection system

Number of conductors that can be connected  
Number of connection levels on each side

#### Design options

Housing design

PCB layout

Labelling & marking

Standard housing colours  
(Other colours on request)

#### Additional features

optional (excerpt)

standard (excerpt)

#### Component housing system IP 20

- 7 housing widths from 6 to 67.5 mm:
- 6,1 / 12,5 / 17,5 / 22,5 / 35<sup>1)</sup> / 45 / 67,5
- individually configurable
- 100% reflow soldering compatible (automated)
- networked with mounting rail bus

#### Connectors (touch-safe both sides)

- 4 - 72
- 1 - 3



#### Individually configurable

- asymmetrical port configuration
- individual processing / modification
- large net layout space of up to 9000 mm<sup>2</sup>
- up to 3 flexibly positioned PCBs
- both sides can be fitted with components (underside: + 5mm)
- Pad & laser printing
- Device markers for female connector
- Device markers for hinged cover



#### Optional or standard

- Integrated mounting rail bus
- FE mounting rail contact
- Connection areas: lockable slots
- integrated, captive 16-fold "AutoSet" coding
- integrated ejector and plus / minus screws
- "Wire ready" and "wire guard" (protection against mis-inserting)
- transparent hinged cover, sealable

#### Component housing system IP 20

- 4 housing widths from 12,5 to 45 mm:
- 12,5 / 17,5 / 22,5 / 45
- Optional large-capacity front-module
- Wave solderable, partly reflow compatible
- in field removable electronics modules

#### Connector

- 4 - 24
- 1 - 2



#### 4 standard versions:

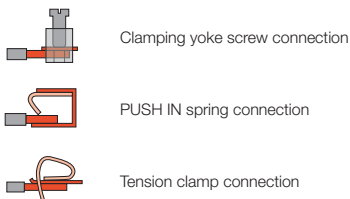
- Option large capacity head element
- Option low height / depth
- net layout space of up to 8000 mm<sup>2</sup>
- up to 2 PCBs
- Double-sided installation
- Pad & laser printing
- Printable female plug
- Device markers for FRONT element



#### Optional:

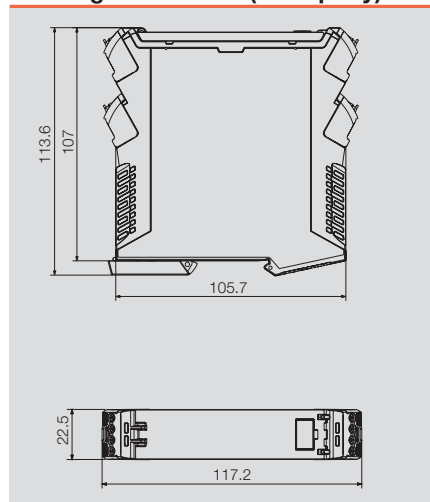
- Cross-connector 24 A / 2 pole top / bottom
- removable electronics modules

### Legend of symbols

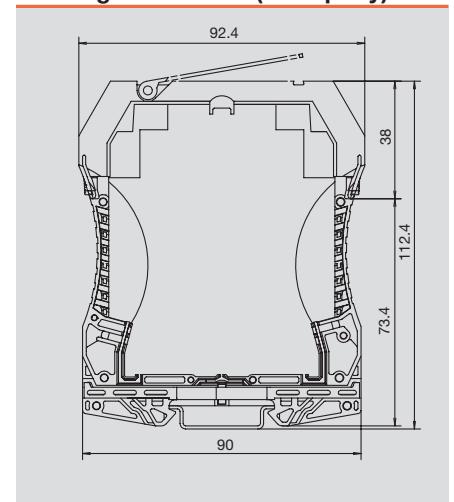


Note:: 1) on request

### Housing dimensions (exemplary)



### Housing dimensions (exemplary)



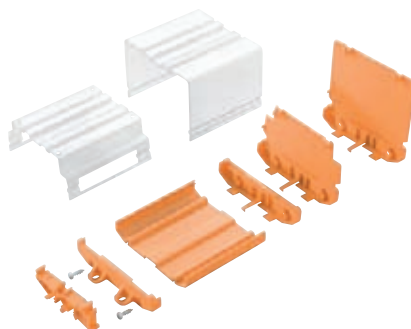
**MICROBOX - Small housing**  
**TERMINALBOX - Terminal housing**

Page I.44



**RS 45-122 Profile housing variable**

Page I.48



**RS 70 - Profile housing modular**

Page I.48



**Small housing IP 20**

- MICROBOX: 6.1 mm
- TERMINALBOX: 6.0 mm
- Miniature plate housing
- Compact enclosure in terminal format
- e.g. for I/O-plate applications

**Connection terminals**

- 4 - 6
- 2 - 3



**2 versions:**

- MICROBOX: closed
- TERMINALBOX optionally with cover plate

- Pad-print printing



**Optional:**

- Cross-connector 32A

**Variable extruded profile case IP 20**

- Extruded profile cut to precise length
- Standard length 2m, optionally cut to size
- circuit boards 45 to 122 mm
- precisely cut lengths
- Modules protected with a clear cover

**Female connectors or terminals**

- as needed
- 1 - 3



**Combinable and a perfect fit**

- See-through covers in 2 sizes
- End plates in 3 sizes
- Standard circuit cards (EURO format)
- Up to 2 PCBs stackable
- Double-sided installation
- Pad-print printing
- Standard connector markings
- Marking strips for the cover hood



**Optional:**

- direct mounting

**Modular extruded profile case IP 00**

- Extruded profile, stackable modular
- Elements of 5 / 10 / 15 / 25 / 30 / 45 mm
- for 68 mm circuit boards
- tool-free installation
- sub-assembly accessible when opened

**Female connectors or terminals**

- as needed
- 1 - 3



**tool-free installation:**

- 1 snap-on foot
- 5 different intermediate elements
- Standard circuit boards
- Double-sided installation

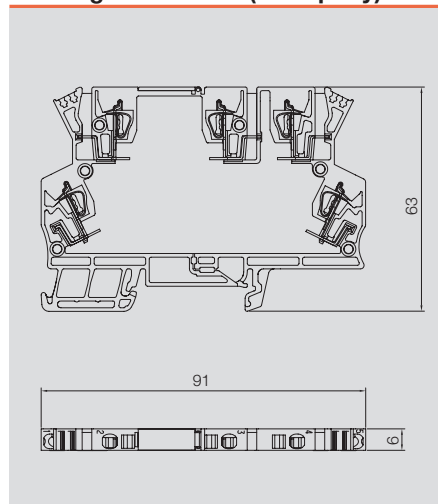
- Pad-print printing

- Standard connector markings

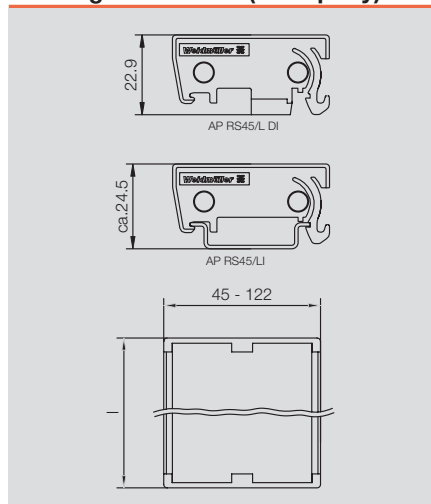


**Optional:**

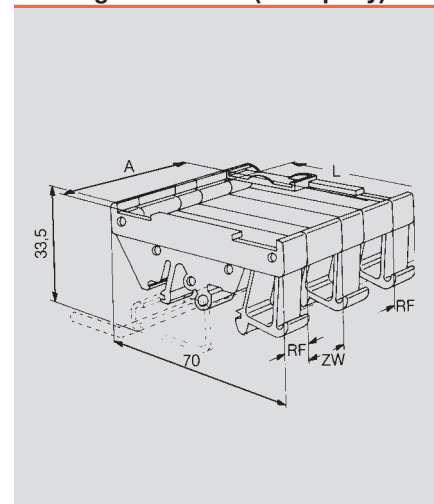
**Housing dimensions (exemplary)**



**Housing dimensions (exemplary)**



**Housing dimensions (exemplary)**



**CH20M**  
Explanation

# Individual design by combining form, function and appearance

**CH20M (Component Housing IP20 Modular) – Weidmüller’s new housing standard – represents the ideal platform for basing customised electronic applications.**

Like a “tailor-made suit straight off the rack”, the ground breaking module concept combines freedom in design with the low cost and planning security of a standard system.

In addition to scalability, a high level of safety and innovative functionality in the application, the system also convinces with superior attention to detail.

The results are quicker installation, user-friendly operation, high operational reliability and resistance to interference. From development to production, the CH20M represents efficiency. It covers all of the requirements for a modern electronics platform built with the future in mind.



**Designed configuration**

As many connections as you require and as affordable as you need: scalable connection levels, custom-configured for each side and available with six different housing widths and with up to 72 single wire connections.



**Designed basic colours**

With a focus on the important elements: the unobtrusive housing colours (black graphite, grey graphite and light grey) make a competent impression without distracting from the key operational and display elements.

### Designed printing

Detailed symbols, data, graphics or text can be printed (with either laser or pad printing) on the large surface available on the housing element.



### Designed functional colours

More operational confidence with functionally appropriate colour coding: three functional colours (red, yellow and blue coding) can be assigned to key industrial applications.



### Designed optical appearance



The standard variants, with their modularity and variety, enable you to customise a wide range of designs to fit your application.

### Designed functionality



Our comprehensive, standardised configuration variants can be further supplemented with modification and design changes to fit your custom needs.

### Designed modifications

Modifying after the configuration: for example by integrating the pluggable 30-pole BL-I/O LED digital I/O connection level in the front or with the RJ45 socket on the side.

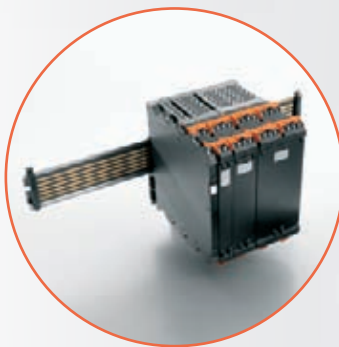


# Power, signals and data are provided, connected and distributed securely and consistently

This customer-friendly bus solution brings power, signals and data to the rail in a quick and reliable manner. When supplying, connecting or distributing within modular applications, the rail bus can replace the tedious individual wiring process with a flexible and uninterrupted system solution. As a result, the wiring overhead and the error rate are both reduced. Redundant functions within complex applications can be efficiently centralised or intelligently distributed.



The system bus is securely integrated within the 35 mm standard mounting rail. The SMD-bus contact block can be reflow-soldered so that it can be completely automatically processed during the component assembly. The resistant, gold-plated contact surfaces ensure a permanent and reliable contact for all housing widths.



**Scalability with no limits**

Unique: The integrated connection solution covers all system widths: from the 6 mm slice to the 67 mm large-area housing.



**Easy to service during installation:**

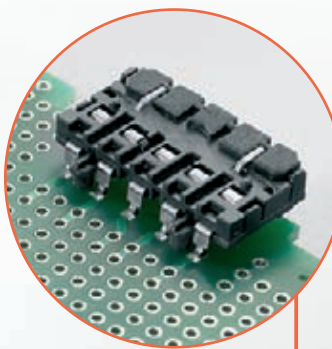
Quick: It's easy to replace a module, even in existing modules groups – without any influence on the neighbouring modules.



**Unlimited configuration**

Compatible: The individual modules can be positioned anywhere on any TS-35 standard top-hat rail. Unused areas are safely covered.

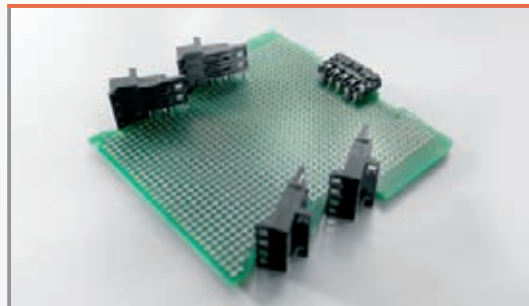




### State-of-the-art processing

Efficient: The SMD-compatible bus contact block is made from high-temperature-resistant LCP. It is designed for the SMT reflow process and is delivered in machine-ready packaging.

### Affordable assembly



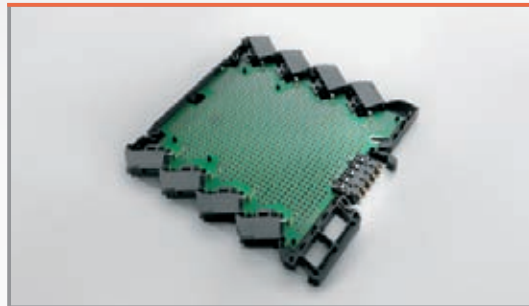
Fully automatic: No manual post-processing is required for the bus contact block – it is processed with the assembly group in a single SMT assembly process.

### Safe installation

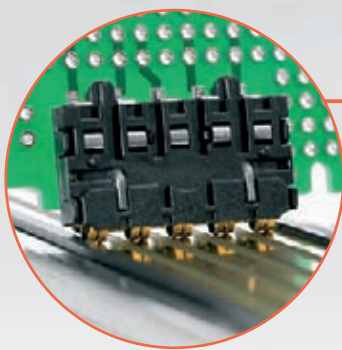
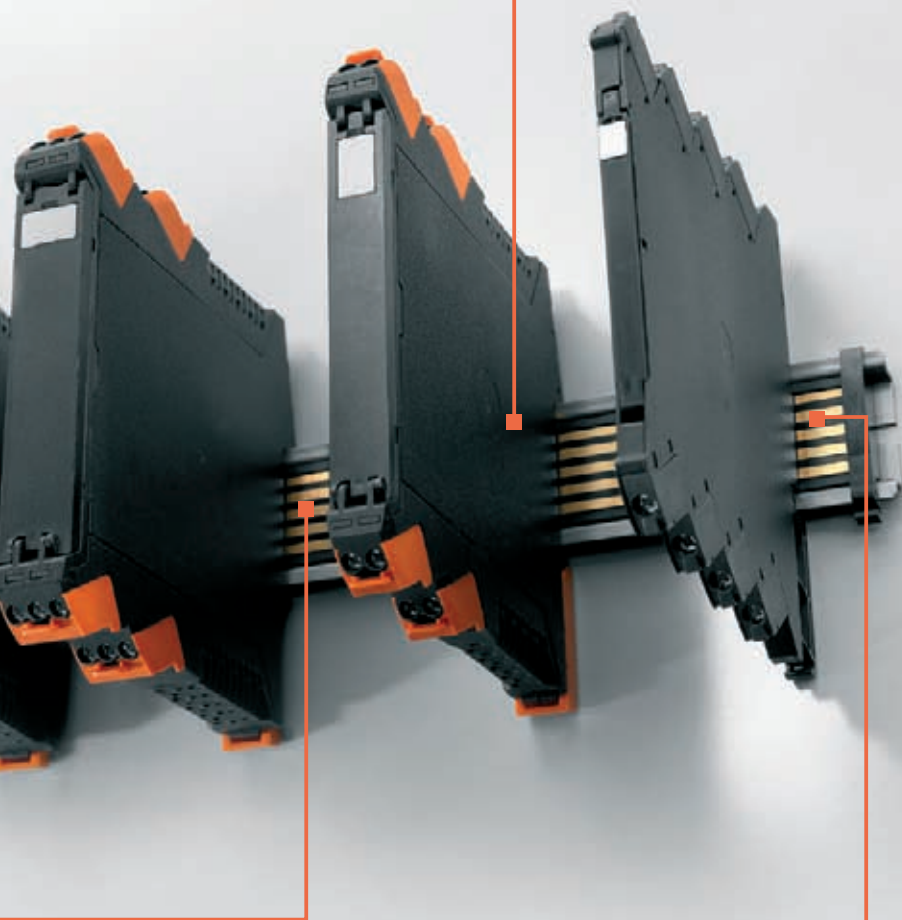


Low loss: You can safely avoid undesired bus interruptions and high contact resistances. Maximum facility availability ensured by the gold-plated contact surfaces on the system bus and contact block, as well as the consistent system design.

### More flexibility in design



From design through production to application - CH20M6 sets the market standard with maximal board space with minimal exterior dimensions as well as allowing fully automatic reflow processing or bus connections.

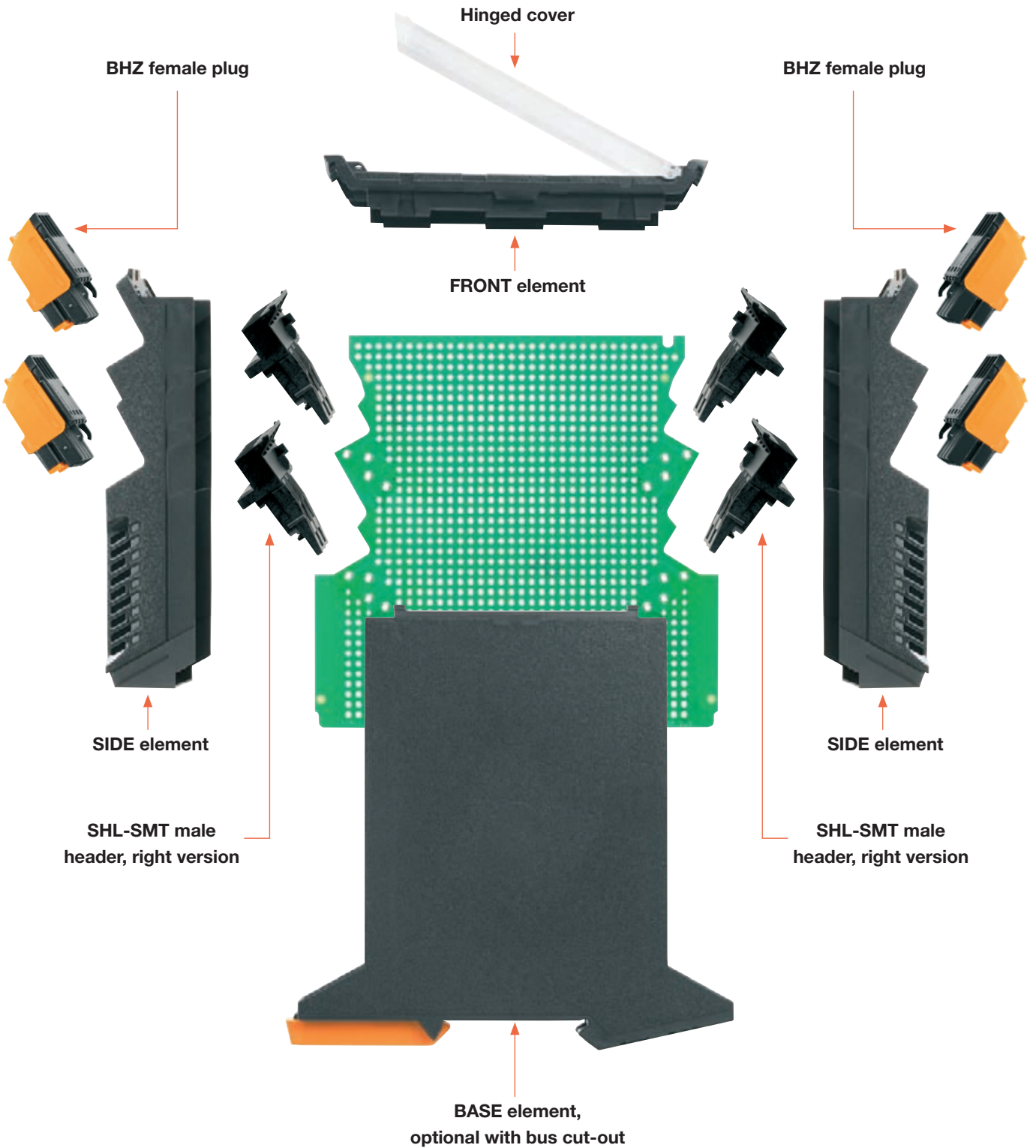


### Maximum availability:

Reliable: Five fully-galvanised and partially gold-plated twin-arched contacts are used to establish a permanent contact to the rail bus. THR solder flanges ensure that the connection to the circuit board is stable.

# OMNIMATE Housing – System CH20M

## System overview





Hinged cover, transparent **CH20M22 C TP**  
on FRONT element, black **CH20M22 F BK**



Hinged cover, black **CH20M22 C BK**



FRONT element, black **CH20M22 F BK**



FRONT element, black:  
for use without hinged cover  
**CH20M22 FC BK**

Connection area (SIDE) with 1-3 levels



Black SIDE element  
3-row 12 connections  
**CH20M22 S PPP BK**



Black SIDE element  
2-row 8 connections-  
**CH20M22 S PPSC BK**



Black SIDE element  
1-row 4 connections  
**CH20M22 S PSCSC BK**

Connection area (SIDE) with 1-3 levels and  
varying connection configurations



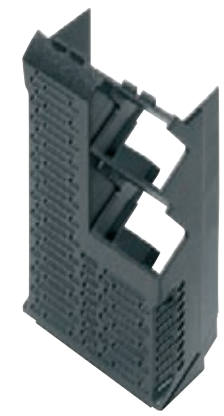
Black SIDE element  
1-row 8 connections-  
**CH20M45 S P2SC/P2SC BK**



Black SIDE element  
2-row 16 connections  
incl. Male header  
**CH20M AD-SHL**



Black SIDE element  
2-row 8 connections  
**CH20M45 S 2PSC/3SC BK**









Black SIDE element  
2-row 8 connections  
**CH20M45 S 3SC/2PSC BK**

# OMNIMATE Housing

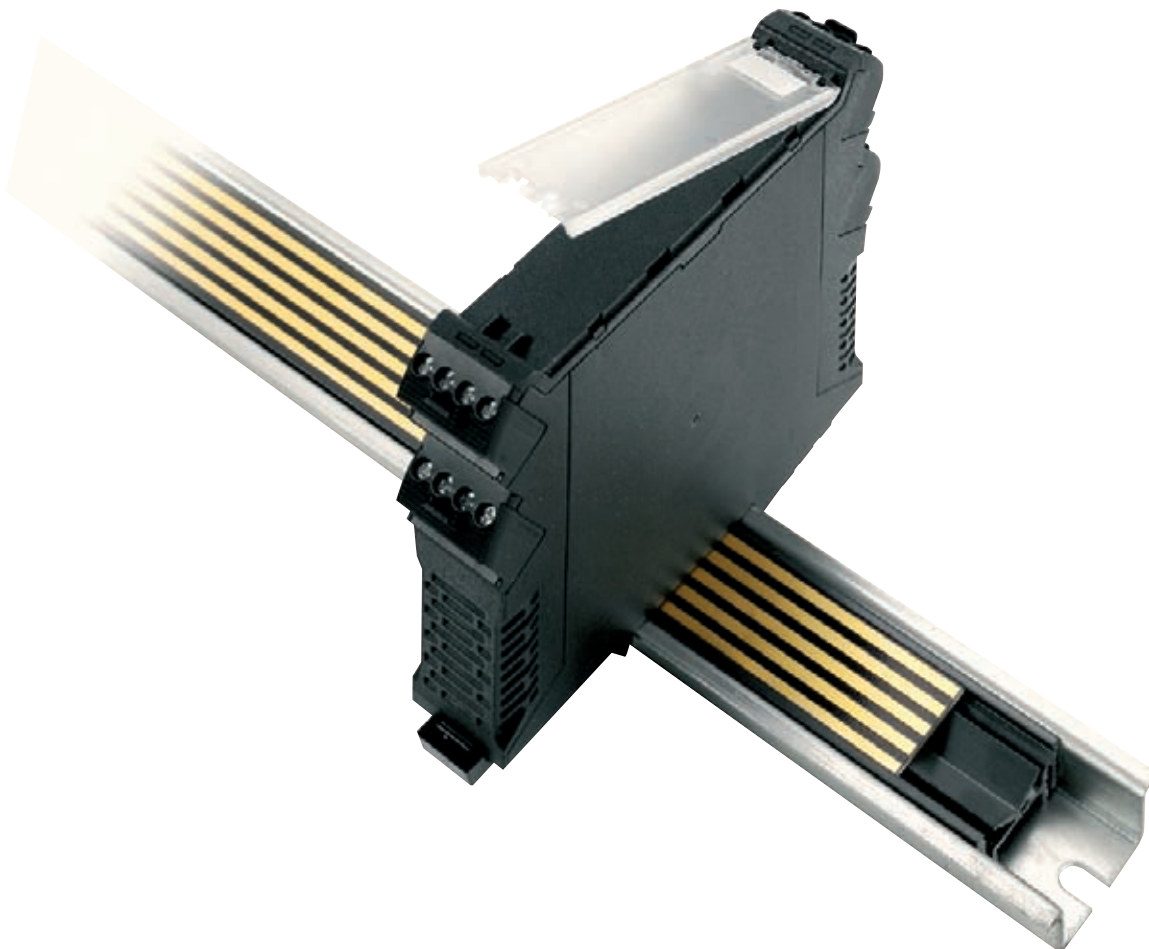
## Component housing system CH20M

The module electronics housing system – CH20M (**C**omponent **H**ousings **IP20 M**odular) – is designed for seven widths.

Width	Type	Sample kit including wire connection mechanism	Catalogue pages	Colour scale <sup>1)</sup>
6.1 mm	CH20M6	1203290000 CH20M6 S-Kit	I.14	 Similar to RAL 9011
12.5 mm	CH20M12	1167190000 CH20M12 S-Kit	I.16	 Similar to RAL 7024
17.5 mm	CH20M17	1255820000 CH20M17 S-Kit	I.18	 Similar to RAL 7035
22.5 mm	CH20M22	1158390000 CH20M22 S-Kit	I.20	 Similar to RAL 5012
35 mm	CH20M35	On request		 Similar to RAL 1003
45 mm	CH20M45	1203350000 CH20M45 S-Kit	I.22	 Similar to RAL 3000
67 mm	CH20M67	On request	I.24	

**Note:** The sample kit contains all individual parts for setting up a housing, including the circuit board and wire connection mechanism.

**Note:** 1) Other colours on request



Housing elements

Hinged cover



Description / Type

**COVER** (CH20Mxx C xx)

- Transparent (light or dark)
- Holds itself in place when opened
- Sealable

Design options

**Transparent**

- pad printing
- markable
- machinable

Housing front



**FRONT** (CH20Mxx F xx)

- Large usable surface for the operational and display elements
- Can be customised

<sup>1)</sup>

- laser marking
- With hinges for cover
- Optionally closed (without hinged cover)

Connection area



**SIDE** (CH20Mxx S xx)

**SIDE element:**

- 1 - 3 connection levels
- Can be configured asymmetrically
- For up to 3 circuit boards
- Up to 72 wires can be connected

<sup>1)</sup>

- laser marking
- 1 - 3 plugging levels
- Up to 3 circuit boards, can be populated on both sides up to 5 mm on bottom of board
- with or without bus cut-out

Housing base



**BASE** (CH20Mxx B xx)

**BASE element:**

- For TS35 DIN rails
- Pre-attached snap-on foot
- ESD-protected (8kV acc. to EN 61000-4-2)
- All elements are permanently snapped in

<sup>1)</sup>

- laser marking
- with or without bus cut-out
- Optional FE contact
- Snap-on foot in 2 standard colours (orange + black)

Connection system



**BHZ female plug / SHL male header**

**Female plug / male header:**

- Reflow compatible
- Can be automatically processed
- Integrated "AutoSet" coding
- Release clip is standard

<sup>1)</sup>

- Headers packaged in box or on tape
- Clamping yoke screw connection
- PUSH IN spring connection (on request)

Rail bus



**Bus**

**Non-interrupted system bus:**

- Integrated in TS35 DIN rail
- For power, signals and data
- 5 conductor paths (max. 5 A / 63 V)
- SMD-compatible bus contacts (2 A / 63 V)

- Can be shortened to length
- For 7.5 and 15 mm with finger-safe hood
- Pre-assembled on request

## CH20M

### Technical data

## CH20M6



Modular component housing for electronic components

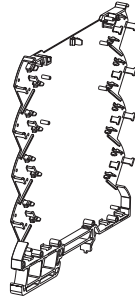
- 6.1mm wide
- Connection method: PCB terminals, clamping yoke screw connection
- Max. 8 wires

### Technical data

Insulating material	PBT
Flammability rating (UL94)	V0
Rated voltage	250 V AC
Rated current	13 A

## CH20M6 BP

### Base housing



Base housing

- For mounting on rail
- Optionally with BUS cut-out


## CH20M6 BP

### Housing cover




Housing cover

### Ordering data

Type / Version	Qty.	Order No.
 Base housing, black CH20M6 BP 4P-4P BK	50	<b>Base housing, black</b> <b>2418600000</b>

 Base housing BUS black CH20M6 BP 4P-4P BUS BK	50	<b>1164630000</b>
---	----	-------------------

### Ordering data

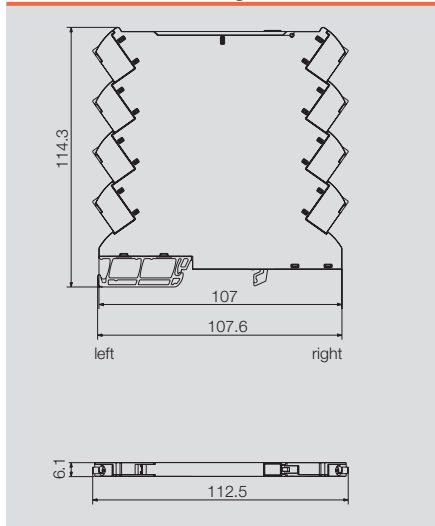
Type / Version	Qty.	Order No.
 black CH20M6 BC 4P-4P BK	50	<b>2418610000</b>

 black CH20M6 BC 4P-4P BUS BK	50	<b>1164640000</b>
--	----	-------------------

### Demo Kit

Type / Version	Qty.	Order No.
SK DEMO CH20M6	1	<b>1203310000</b>

### Dimensional drawing





## CH20M6 C

### Hinged cover



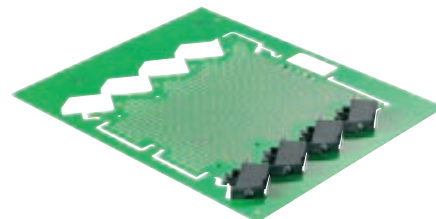
Hinged cover

### Ordering data

Type / Version	Qty.	Order No.
  dark transparent CH20M6 C BK	50	2418620000
  light transparent CH20M6 C TP	50	1073410000

### Connection system

#### and accessories



### PCB terminal

Type / Version	Qty.	Order No.
Left, box packaging LHZ-SMT L 1.5SN BK BX	50	1137870000
Right, box packaging LHZ-SMT R 1.5SN BK BX	50	1137880000
Left, tape-on-reel LHZ-SMT L 1.5SN BK RL	432	2418580000
Right, tape-on-reel LHZ-SMT R 1.5SN BK RL	432	2418590000

### Markers

Type / Version	Qty.	Order No.
Device marker hinged cover MF 5/7,5 MC BLANK	50	1877680000

## CH20M

### Technical data

## CH20M12



Modular component housing for electronic components

- 12.5 mm wide
- Pluggable wire connection
- Max. 12 wires

### Technical data

Insulating material	PA6.6
Flammability rating (UL94)	V0
Rated voltage	250 V AC
Rated current	10 A

## CH20M12 B

### BASE element



**BASE**



Base element with pre-attached snap-on foot

- Optionally with BUS cut-out
- Optionally with FE cut-out

## CH20M12 S

### SIDE element



**SIDE**

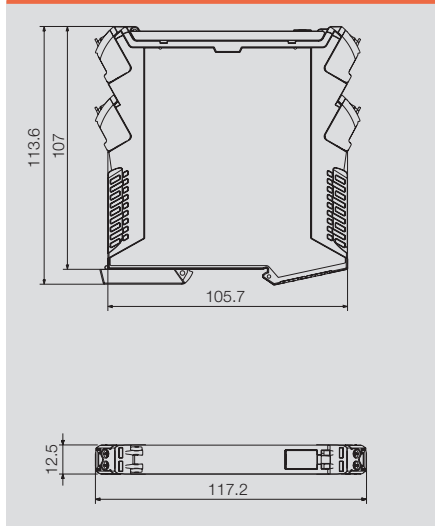


Side element



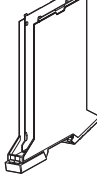
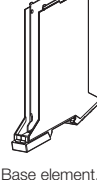
### Demo Kit

Type / Version	Qty.	Order No.
SK DEMO CH20M12	1	1111630000




### Dimensional drawing



### Ordering data

Type / Version	Qty.	Order No.
 Base element, black, Snap-on foot, black CH20M12 B BK/BK	14	1104170000
 Base element, black, Snap-on foot, orange CH20M12 B BK/OR	14	1104180000
 Base element, black, BUS, Snap-on foot, orange CH20M12 B BUS BK/OR	14	1176980000
 Base element, black, FE (Version for functional earth), Snap-on foot, orange CH20M12 B FE BK/OR	14	1176990000

### Ordering data

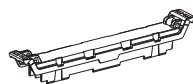
Type / Version	Qty.	Order No.
 Side element, black, 1-row, for 2 connections* CH20M12 S PSCSC BK	14	1104210000
 Side element, black, 2-row, for 4 connections CH20M12 S PPSC BK	14	1104200000
 Side element, black, 3-row, for 6 connections CH20M12 S PPP BK	14	1174280000

\*) The side itself does not have any connections



### CH20M12 F

#### FRONT element



FRONT



Front element

### CH20M12 C

#### COVER element



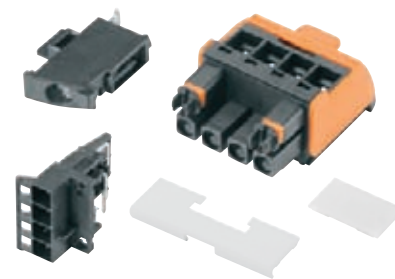
COVER



Hinged cover


### Connection system

#### and accessories

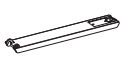
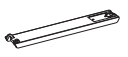


- Female plug 2-pole, black
- Male header 2-pole, black
- Left and right versions of header

### Ordering data

Type / Version	Qty.	Order No.
 Front element, black CH20M12 F BK	70	1104190000

### Ordering data

Type / Version	Qty.	Order No.
 Hinged cover, dark transparent CH20M12 C BK	70	1104240000
 Hinged cover, light transparent CH20M12 C TP	70	1104250000

### Female plug

Type / Version	Qty.	Order No.
Release lever, orange BHZ 5.00/02/90LH BK/OR	150	1063260000
Release lever, black BHZ 5.00/02/90LH BK/BK	150	1069330000
Release lever, blue BHZ 5.00/02/90LH BK/BL	150	1069360000

### Male header

Type / Version	Qty.	Order No.
Left version, box packaging SHL-SMT 5.00/02GL 4.2BX	156	1069620000
SHL-SMT 5.00/02GL 5.9BX	156	1069750000
Right version, box packaging SHL-SMT 5.00/02GR 4.2BX	156	1069550000
SHL-SMT 5.00/02GR 5.9BX	156	1069680000
Left version, tape-on-reel SHL-SMT 5.00/02GL 4.2RL	260	1069650000
SHL-SMT 5.00/02GL 5.9RL	260	1069780000
Right version, tape-on-reel SHL-SMT 5.00/02GR 4.2RL	260	1069580000
SHL-SMT 5.00/02GR 5.9RL	260	1069720000

### Plug cover

Type / Version	Qty.	Order No.
Cover, black 2-pole CH20M AD SHL 5.00/02 BK		on request

### Markers

Type / Version	Qty.	Order No.
Device marker hinged cover ESG 8/13.5/43.3 SAI AU	5	1912130000
Device marker female plug ESG 6.6/11 BHZ 5.00/02	200	1082490000

## CH20M

### Technical data

## CH20M17



Modular component housing for electronic components

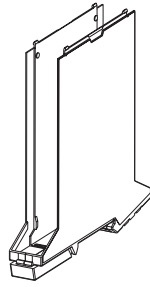
- 17.5 mm wide
- Pluggable wire connection
- Max. 18 wires

### Technical data

Insulating material	PA6.6
Flammability rating (UL94)	V0
Rated voltage	250 V AC
Rated current	10 A

## CH20M17 B

### BASE element



**BASE**



Base element with pre-attached snap-on foot

- Optionally with BUS cut-out
- Optional with cut-out for functional earth (FE)

## CH20M17 S

### SIDE element



**SIDE**

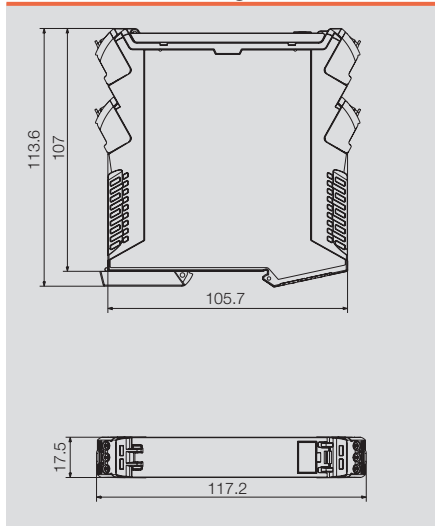


Side element

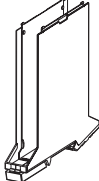
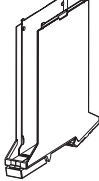

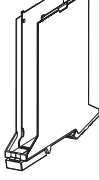
### Demo Kit

Type / Version	Qty.	Order No.
SK DEMO CH20M17	1	on request




### Dimensional drawing



### Ordering data

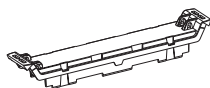
Type / Version	Qty.	Order No.
 Base element, black, Snap-on foot, black CH20M17 B BK/BK		on request
 Base element, black, Snap-on foot, orange CH20M17 B BK/OR		on request
 Base element, black, BUS, Snap-on foot, orange CH20M17 B BUS BK/OR		on request
 Base element, black, FE, Snap-on foot, orange CH20M17 B FE BK/OR		on request

### Ordering data

Type / Version	Qty.	Order No.
 Side element, black, 1-row, 3 connections CH20M17 S PSCSC BK		on request
 Side element, black, 2-row, 6 connections CH20M17 S PPSC BK		on request
 Side element, black, 3-row 9 connections CH20M17 S PPP BK		on request

### CH20M17 F

#### FRONT element



FRONT



Front element

### CH20M17 C

#### COVER element



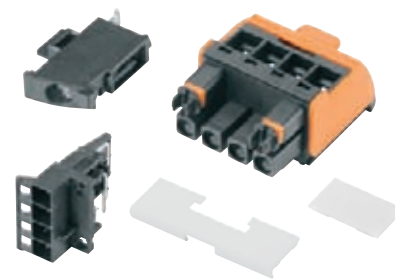
COVER



Hinged cover

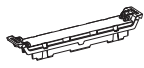
### Connection system

#### and accessories





- Female plug 3-pole, black
- Male header 3-pole, black
- Left and right versions of header

### Ordering data

Type / Version	Qty.	Order No.
 Front element, black CH20M17 F BK	70	on request

### Ordering data

Type / Version	Qty.	Order No.
 Hinged cover, dark transparent CH20M17 C BK		on request
 Hinged cover, light transparent CH20M17 C TP		on request

### Female plug

Type / Version	Qty.	Order No.
Release lever, orange BHZ 5.00/03/90LH BK/OR	108	1063270000
Release lever, black BHZ 5.00/03/90LH BK/BK	108	1069340000
Release lever, blue BHZ 5.00/03/90LH BK/BL	108	1069370000

### Male header

Type / Version	Qty.	Order No.
Left version, box packaging SHL-SMT 5.00/03GL 1.5BX	120	1063210000
SHL-SMT 5.00/03GL 4.2BX	120	1069630000
SHL-SMT 5.00/03GL 5.9BX	120	1069760000
Right version, box packaging SHL-SMT 5.00/03GR 1.5BX	120	1063140000
SHL-SMT 5.00/03GR 4.2BX	120	1069560000
SHL-SMT 5.00/03GR 5.9BX	120	1069690000
Left version, tape-on-reel SHL-SMT 5.00/03GL 1.5RL	175	1063240000
SHL-SMT 5.00/03GL 4.2RL	175	1069660000
SHL-SMT 5.00/03GL 5.9RL	175	1069790000
Right version, tape-on-reel SHL-SMT 5.00/03GR 1.5RL	175	1063170000
SHL-SMT 5.00/03GR 4.2RL	175	1069590000
SHL-SMT 5.00/03GR 5.9RL	175	1069730000

### Plug cover

Type / Version	Qty.	Order No.
Cover, black 3-pole CH20M AD SHL 5.00/03 BK		on request

### Markers

Type / Version	Qty.	Order No.
Device marker Hinged cover ESG 8/13.5/43.3 SAI AU	5	1912130000
Device marker Female plug ESG 6.6/15 BHZ 5.00/03	200	1082520000

## CH20M

### Technical data

## CH20M22



Modular component housing for electronic components

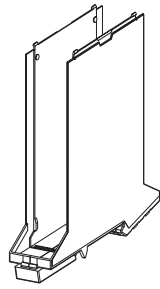
- 22.5 mm wide
- Pluggable wire connection
- Max. 24 wires

### Technical data

Insulating material	PA6.6
Flammability rating (UL94)	V0
Rated voltage	250 V AC
Rated current	10 A

## CH20M22 B

### BASE element



**BASE**



Base element with pre-attached snap-on foot

- Optionally with BUS cut-out
- Optional with cut-out for functional earth (FE)

## CH20M22 S

### SIDE element



**SIDE**

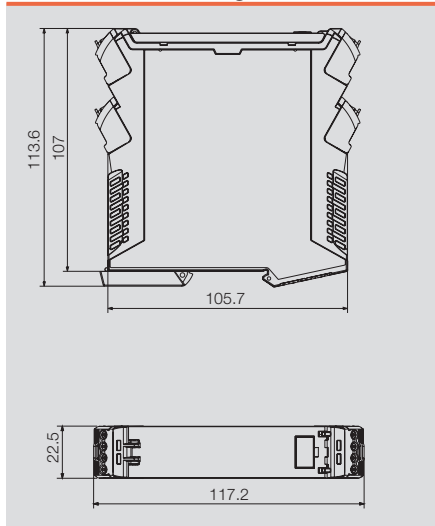


Side element

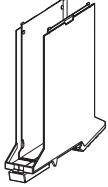
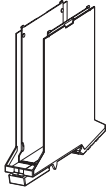
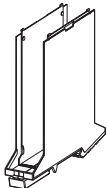
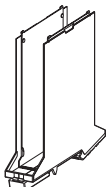
### Demo Kit

Type / Version	Qty.	Order No.
SK DEMO CH20M22	1	1105600000




### Dimensional drawing



### Ordering data

Type / Version	Qty.	Order No.
 Base element, black, Snap-on foot, black CH20M22 B BK/BK	10	2418630000
 Base element, black, Snap-on foot, orange CH20M22 B BK/OR	10	1104450000
 Base element, black, BUS, Snap-on foot, orange CH20M22 B BUS BK/OR	10	1177000000
 Base element, black, FE, Snap-on foot, orange CH20M22 B FE BK/OR	10	1177100000

### Ordering data

Type / Version	Qty.	Order No.
 Side element, black, 1-row, 4 connections CH20M22 S PSCSC BK	10	1080630000
 Side element, black, 2-row, 8 connections CH20M22 S PPSC BK	10	2418650000
 Side element, black, 3-row 12 connections CH20M22 S PPP BK	10	1139790000

### CH20M22 F

#### FRONT element



FRONT



Front element

### CH20M22 C

#### COVER element



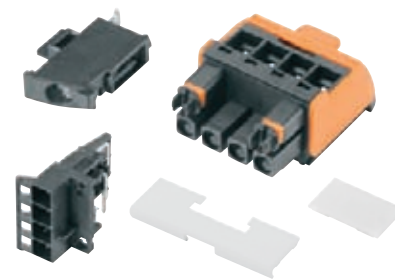
COVER



Hinged cover


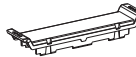
### Connection system

#### and accessories





- Female plug 4-pole, black
- Male header 4-pole, black
- Left and right versions of header

### Ordering data

Type / Version	Qty.	Order No.
 Front element, black CH20M22 F BK	50	2418640000
 Front element, closed, black CH20M22 FC BK	50	1209350000

### Ordering data

Type / Version	Qty.	Order No.
 Hinged cover, dark transparent CH20M22 C BK	50	2418670000
 Hinged cover, light transparent CH20M22 C TP	50	1073420000

### Female plug

Type / Version	Qty.	Order No.
Release lever, orange BHZ 5.00/04/90LH BK/OR	150	1063280000
Release lever, black BHZ 5.00/04/90LH BK/BK	150	1069350000
Release lever, blue BHZ 5.00/04/90LH BK/BL	150	1069380000

### Male header

Type / Version	Qty.	Order No.
Left version, box packaging SHL-SMT 5.00/04GL 1.5BX	120	1063220000
SHL-SMT 5.00/04GL 4.2BX	120	1069640000
SHL-SMT 5.00/04GL 5.9BX	120	1069770000
Right version, box packaging SHL-SMT 5.00/04GR 1.5BX	120	1063150000
SHL-SMT 5.00/04GR 4.2BX	120	1069570000
SHL-SMT 5.00/04GR 5.9BX	120	1069710000
Left version, tape-on-reel SHL-SMT 5.00/04GL 1.5RL	130	1063250000
SHL-SMT 5.00/04GL 4.2RL	130	1069670000
SHL-SMT 5.00/04GL 5.9RL	130	1069810000
Right version, tape-on-reel SHL-SMT 5.00/04GR 1.5RL	130	1063180000
SHL-SMT 5.00/04GR 4.2RL	130	1069610000
SHL-SMT 5.00/04GR 5.9RL	130	1069740000

### Plug cover

Type / Version	Qty.	Order No.
Cover, black 4-pole CH20M AD SHL 5.00/04 BK	50	1221310000

### Markers

Type / Version	Qty.	Order No.
Device marker Hinged cover ESG 8/13.5/43.3 SAI AU	5	1912130000
Device marker Female plug ESG 6.6/20 BHZ 5.00/04	200	1082540000

## CH20M

### Technical data

## CH20M45

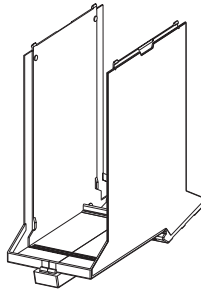


Modular component housing for electronic components

- 45 mm wide
- Pluggable wire connection
- Max. 48 wires

## CH20M45 B

### BASE element



**BASE**

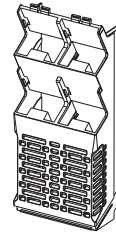


Base element with pre-attached snap-on foot

- Optionally with BUS cut-out
- Optional with cut-out for functional earth (FE)

## CH20M45 S

### SIDE element



**SIDE**



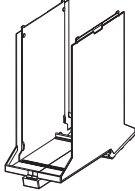
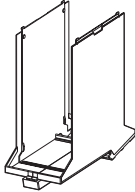
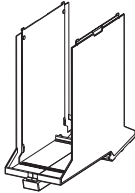
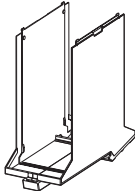
Side element

- Symmetrical versions

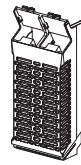

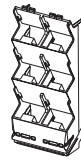
### Technical data

Insulating material	PA6.6
Flammability rating (UL94)	V0
Rated voltage	250 V AC
Rated current	10 A

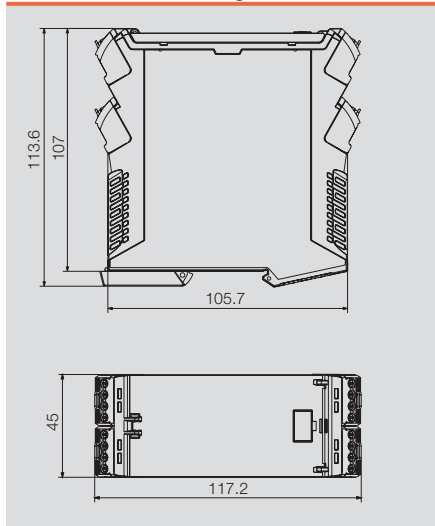
### Ordering data

Type / Version	Qty.	Order No.
 Base element, black, Snap-on foot, black CH20M45 B BK/BK	10	1104400000
 Base element, black, Snap-on foot, orange CH20M45 B BK/OR	10	1104410000
 Base element, black, BUS, Snap-on foot, orange CH20M45 B BUS BK/OR	10	1177020000
 Base element, black, FE, Snap-on foot, orange CH20M45 B FE BK/OR	10	1177030000

### Ordering data

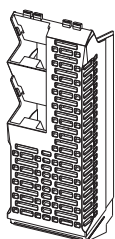
Type / Version	Qty.	Order No.
 Side element, black, 1-row, 8 connections CH20M45 S P2SC/P2SC BK	6	1166180000
 Side element, black, 2-row, 16 connections CH20M45 S 2PSC/2PSC BK	6	1111720000
 Side element, black, 3-row, 24 connections CH20M45 S 3P/3P BK	6	1137730000

### Dimensional drawing



### CH20M45 S

#### SIDE element



SIDE



Side element

- Asymmetrical versions

### CH20M45 C / CH20M45 F

#### COVER element

#### FRONT element



Hinged cover



Front element



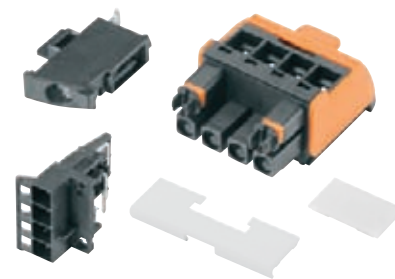
COVER



FRONT

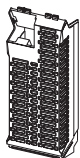

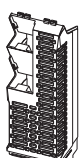
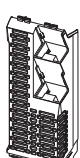
### Connection system

#### and accessories



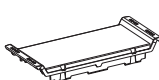
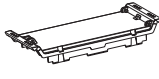


- Female plug 4-pole, black
- Male header 4-pole, black
- Left and right versions of header

### Ordering data

Type / Version	Qty.	Order No.
 Side element, black, 1-row, 4 connections CH20M45 S P2SC/3SC BK	6	1221100000
 Side element, black, 1-row, 4 connections CH20M45 S 3SC/P2SC BK	6	1221090000
 Side element, black, 2-row, 8 connections CH20M45 S 2PSC/3SC BK	6	1137740000
 Side element, black, 2-row, 8 connections CH20M45 S 3SC/2PSC BK	6	1137750000

### Ordering data

Type / Version	Qty.	Order No.
 Hinged cover, light transparent CH20M45 C TP	30	1104440000
 Hinged cover, dark transparent CH20M45 C BK	30	1104430000
 Front element, closed, black CH20M45 FC BK	30	1164800000
 Front element, black CH20M45 F BK	30	1104420000

### Female plug

Type / Version	Qty.	Order No.
Release lever, orange BHZ 5.00/04/90LH BK/OR	150	1063280000
Release lever, black BHZ 5.00/04/90LH BK/BK	150	1069350000
Release lever, blue BHZ 5.00/04/90LH BK/BL	150	1069380000

### Male header

Type / Version	Qty.	Order No.
Left version, box packaging SHL-SMT 5.00/04GL 1.5BX	120	1063220000
SHL-SMT 5.00/04GL 4.2BX	120	1069640000
SHL-SMT 5.00/04GL 5.9BX	120	1069770000
Right version, box packaging SHL-SMT 5.00/04GR 1.5BX	120	1063150000
SHL-SMT 5.00/04GR 4.2BX	120	1069570000
SHL-SMT 5.00/04GR 5.9BX	120	1069710000
Left version, tape-on-reel SHL-SMT 5.00/04GL 1.5RL	130	1063250000
SHL-SMT 5.00/04GL 4.2RL	130	1069670000
SHL-SMT 5.00/04GL 5.9RL	130	1069810000
Right version, tape-on-reel SHL-SMT 5.00/04GR 1.5RL	130	1063180000
SHL-SMT 5.00/04GR 4.2RL	130	1069610000
SHL-SMT 5.00/04GR 5.9RL	130	1069740000

### Plug cover

Type / Version	Qty.	Order No.
Cover, black 4-pole CH20M AD SHL 5.00/04 BK	50	1221310000

### Markers

Type / Version	Qty.	Order No.
Device marker Hinged cover ESG 8/13.5/43.3 SAI AU	5	1912130000
Device marker Female plug ESG 6.6/20 BHZ 5.00/04	200	1082540000

## CH20M

### Technical data

## CH20M67

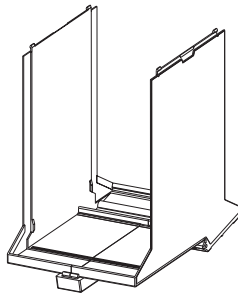


Modular component housing for electronic components

- 67.5 mm wide
- Pluggable wire connection
- Max. 72 wires

## CH20M67 B

### BASE element



**BASE**

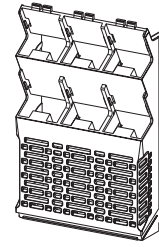


Base element with pre-attached snap-on foot

- Optionally with BUS cut-out
- Optional with cut-out for functional earth (FE)

## CH20M67 S

### SIDE element



**SIDE**



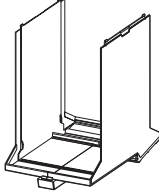
Side element

- Symmetrical versions

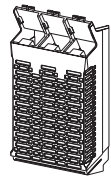
### Technical data

Insulating material	PA6.6
Flammability rating (UL94)	V0
Rated voltage	250 V AC
Rated current	10 A

### Ordering data

Type / Version	Qty.	Order No.
 Base element, black, Snap-on foot, black CH20M67 B BK/BK	4	1235270000

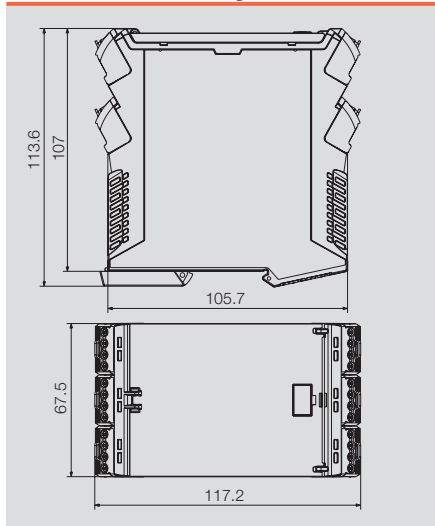
### Ordering data

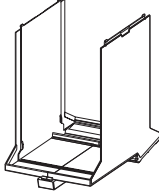
Type / Version	Qty.	Order No.
 Side element, black, 1-row, 12 connections CH20M67 S P2SC/P2SC/P2SC BK	4	on request

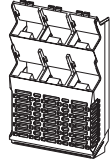
### Demo Kit

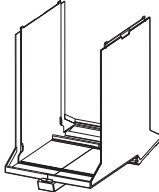
Type / Version	Qty.	Order No.
SK DEMO CH20M67	1	on request

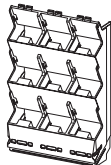
### Dimensional drawing

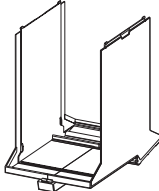


 Base element, black, Snap-on foot, orange CH20M67 B BK/O	4	1235250000
--	---	------------

 Side element, black, 2-row, 24 connections CH20M67 S 2PSC/2PSC/2PSC BK	4	1235360000
--	---	------------

 Base element, black, BUS, Snap-on foot, orange CH20M67 B BUS BK/OR	4	1247240000
--	---	------------

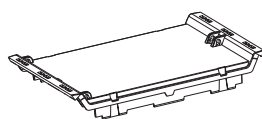
 Side element, black, 3-row, 36 connections CH20M67 S 3P/3P/3P BK	4	on request
--	---	------------

 Base element, black, FE, Snap-on foot, orange CH20M45 B FE BK/OR	4	1247250000
--	---	------------



### CH20M67 F

#### FRONT element



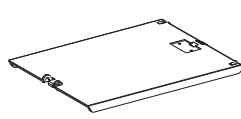
FRONT



Front element

### CH20M67 C

#### COVER element



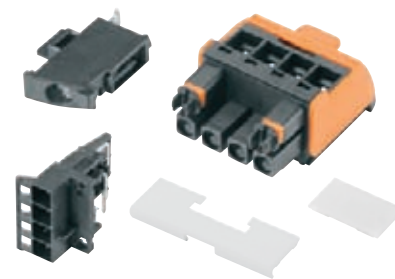
COVER



Hinged cover

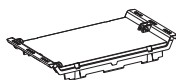
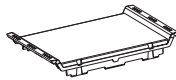
### Connection system

#### and accessories

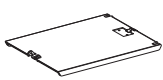
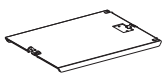


- Female plug 4-pole, black
- Male header 4-pole, black
- Left and right versions of header

### Ordering data

Type / Version	Qty.	Order No.
 Front element, black CH20M67 F BK	30	123530000
 Front element, closed, black CH20M67 FC BK	30	123531000

### Ordering data

Type / Version	Qty.	Order No.
 Hinged cover, dark transparent CH20M67 C BK	30	123528000
 Hinged cover, light transparent CH20M67 C TP	30	123529000

### Female plug

Type / Version	Qty.	Order No.
Release lever, orange BHZ 5.00/04/90LH BK/OR	150	106328000
Release lever, black BHZ 5.00/04/90LH BK/BK	150	106935000
Release lever, blue BHZ 5.00/04/90LH BK/BL	150	106938000

### Male header

Type / Version	Qty.	Order No.
Left version, box packaging SHL-SMT 5.00/04GL 1.5BX	120	106322000
SHL-SMT 5.00/04GL 4.2BX	120	106964000
SHL-SMT 5.00/04GL 5.9BX	120	106977000
Right version, box packaging SHL-SMT 5.00/04GR 1.5BX	120	106315000
SHL-SMT 5.00/04GR 4.2BX	120	106957000
SHL-SMT 5.00/04GR 5.9BX	120	106971000
Left version, tape-on-reel SHL-SMT 5.00/04GL 1.5RL	130	106325000
SHL-SMT 5.00/04GL 4.2RL	130	106967000
SHL-SMT 5.00/04GL 5.9RL	130	106981000
Right version, tape-on-reel SHL-SMT 5.00/04GR 1.5RL	130	106318000
SHL-SMT 5.00/04GR 4.2RL	130	106961000
SHL-SMT 5.00/04GR 5.9RL	130	106974000

### Plug cover

Type / Version	Qty.	Order No.
Cover, black 4-pole CH20M AD SHL 5.00/04 BK	50	122131000

### Markers

Type / Version	Qty.	Order No.
Device marker Hinged cover ESG 8/13.5/43.3 SAI AU	5	191213000
Device marker Female plug ESG 6.6/20 BHZ 5.00/04	200	108254000



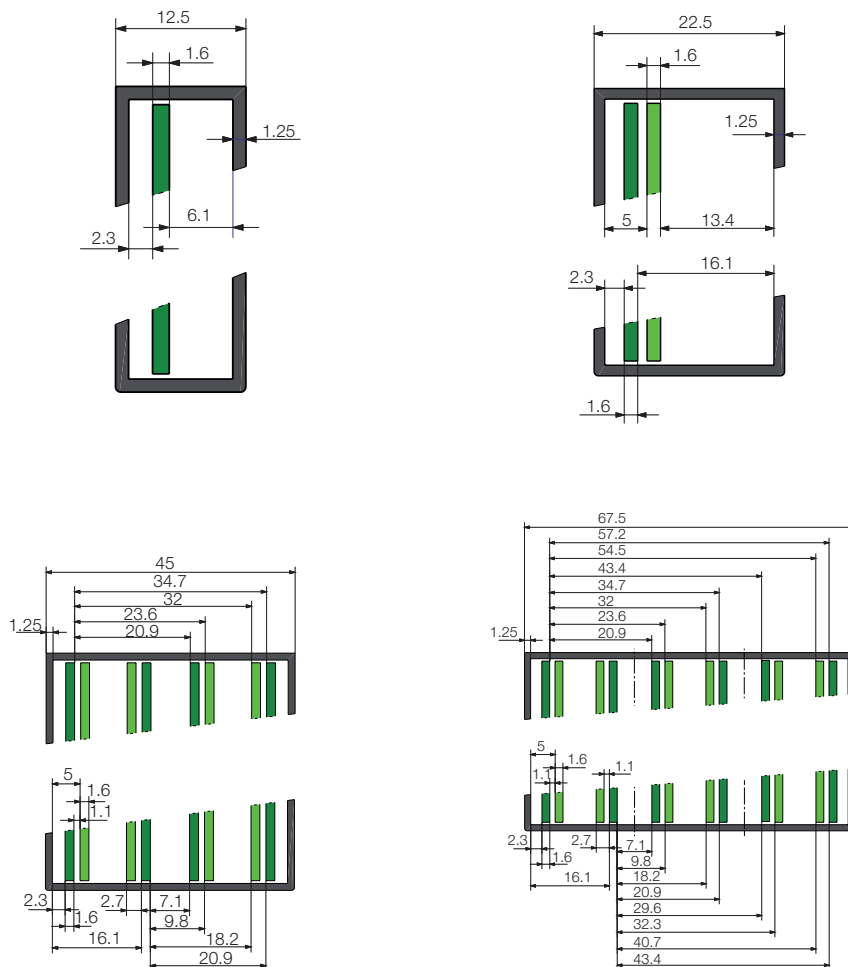
### Circuit board positions in CH20M

Circuit board positions in CH20M

Housing width (mm)	12.5	22.5	45	67.5
Number of circuit boards	1	1	2	3
Positions per circuit board	1	2	4	4

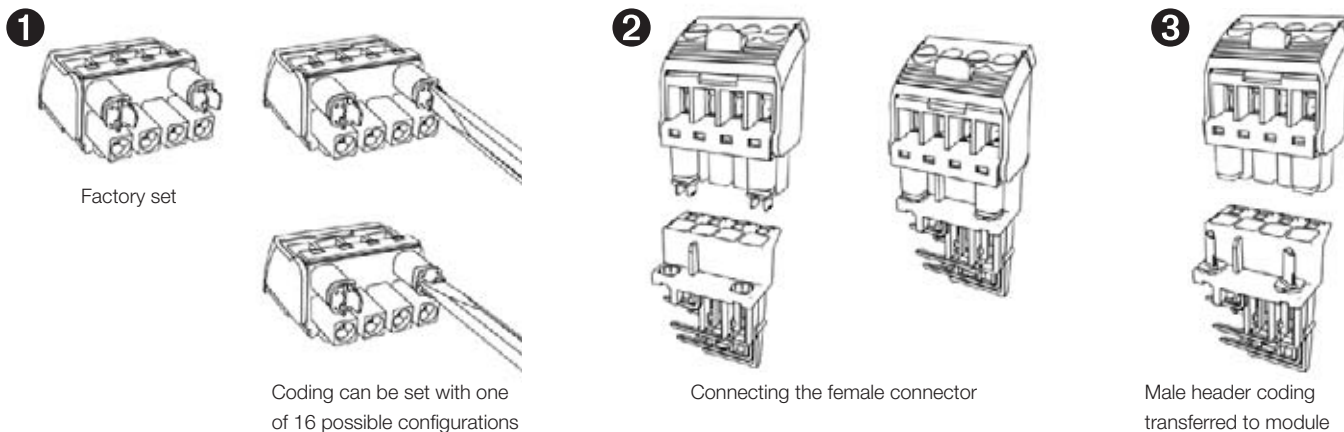


### Dimensional drawing



### Integrated coding in the BHZ/SHL-SMT connector system

- Clamping yoke screw connection – with WIRE READY, wire guard protection and plus/minus screw
- Integrated, captive coding (with „AutoSet“ function) protects against false insertion
- Leading contact on the male headers
- Finger-safe on both sides



## CH20M

### Technical data

#### SHL-SMT



THR male header for modular housing CH20M12-67  
Can be reflow soldered, resistant to high temperatures

**Pin length of 1.5 mm:**

LP in position 5.0 mm, reflow soldering

**Pin length of 4.2 mm:**

LP in position 2.3 mm, reflow soldering

**Pin length of 5.9 mm:**

LP in position 2.3 mm, wave soldering

#### Technical data

Insulating material	LCP
Flammability class UL 94	V0
Rated voltage	250 V
Rated current	10 A

#### SHL-SMT 5.00/GL



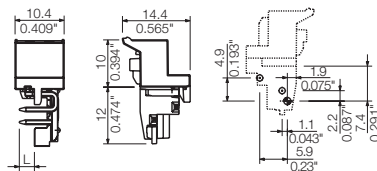
Version left  
Box packaging

#### Ordering data

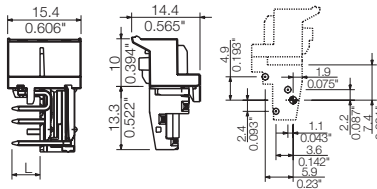
Type / Version	Poles	Qty.	Order No.
SHL-SMT 5.00/02GL 4.2BX	2	156	1069620000
SHL-SMT 5.00/02GL 5.9BX	2	156	1069750000
SHL-SMT 5.00/03GL 1.5BX	3	120	1063210000
SHL-SMT 5.00/03GL 4.2BX	3	120	1069630000
SHL-SMT 5.00/03GL 5.9BX	3	120	1069760000
SHL-SMT 5.00/04GL 1.5BX	4	120	1063220000
SHL-SMT 5.00/04GL 4.2BX	4	120	1069640000
SHL-SMT 5.00/04GL 5.9BX	4	120	1069770000

#### Dimensional drawing

Version left  
2-pole



3-pole



#### SHL-SMT 5.00GL



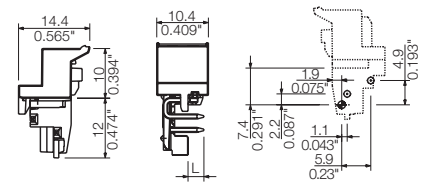
Version left  
Tape-on-reel

#### Ordering data

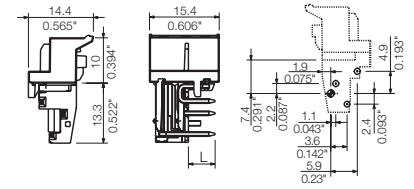
Type / Version	Poles	Qty.	Order No.
SHL-SMT 5.00/02GL 4.2RL	2	260	1069650000
SHL-SMT 5.00/02GL 5.9RL	2	260	1069780000
SHL-SMT 5.00/03GL 1.5RL	3	175	1063240000
SHL-SMT 5.00/03GL 4.2RL	3	175	1069660000
SHL-SMT 5.00/03GL 5.9RL	3	175	1069790000
SHL-SMT 5.00/04GL 1.5RL	4	130	1063250000
SHL-SMT 5.00/04GL 4.2RL	4	130	1069670000
SHL-SMT 5.00/04GL 5.9RL	4	130	1069810000

#### Dimensional drawing

Version right  
2-pole



3-pole



Rated data when used together with BHZxx female plug:  
refer to page I.30

### SHL-SMT 5.00/GR



Version right  
Box packaging

### SHL-SMT 5.00GR



Version right  
Tape-on-reel

#### Ordering data

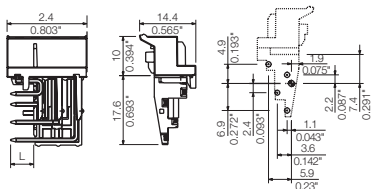
Type / Version	Poles	Qty.	Order No.
SHL-SMT 5.00/02GR 4.2BX	2	156	<b>1069550000</b>
SHL-SMT 5.00/02GR 5.9BX	2	156	<b>1069680000</b>
SHL-SMT 5.00/03GR 1.5BX	3	120	<b>1063140000</b>
SHL-SMT 5.00/03GR 4.2BX	3	120	<b>1069560000</b>
SHL-SMT 5.00/03GR 5.9BX	3	120	<b>1069690000</b>
SHL-SMT 5.00/04GR 1.5BX	4	120	<b>1063150000</b>
SHL-SMT 5.00/04GR 4.2BX	4	120	<b>1069570000</b>
SHL-SMT 5.00/04GR 5.9BX	4	120	<b>1069710000</b>

#### Ordering data

Type / Version	Poles	Qty.	Order No.
SHL-SMT 5.00/02GR 4.2RL	2	260	<b>1069580000</b>
SHL-SMT 5.00/02GR 5.9RL	2	260	<b>1069720000</b>
SHL-SMT 5.00/03GR 1.5RL	3	175	<b>1063170000</b>
SHL-SMT 5.00/03GR 4.2RL	3	175	<b>1069590000</b>
SHL-SMT 5.00/03GR 5.9RL	3	175	<b>1069730000</b>
SHL-SMT 5.00/04GR 1.5RL	4	130	<b>1063180000</b>
SHL-SMT 5.00/04GR 4.2RL	4	130	<b>1069610000</b>
SHL-SMT 5.00/04GR 5.9RL	4	130	<b>1069740000</b>

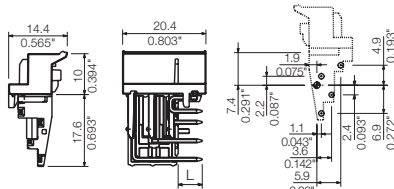
#### Dimensional drawing

Version left  
4-pole



#### Dimensional drawing

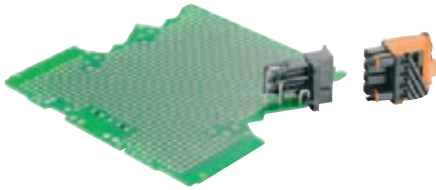
Version right  
4-pole



## CH20M

### Technical data

## BHZ



Female plug for modular housing CH20M12-67 5.00 mm, clamping-yoke connection, integrated coding, release lever can be colour coded

### Technical data

Insulating material	PA
Flammability class UL 94	V0
Rated voltage	250 V
Rated current	10 A

#### Conductors that can be connected

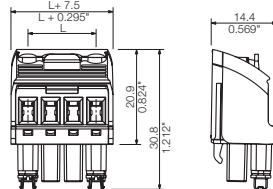
Clamping range	0.13 mm <sup>2</sup> - 3.31 mm <sup>2</sup>
Wire cross-section, AWG, min.	AWG 26 - AWG 14
Solid, min. H05(07) V-U	0.2 mm <sup>2</sup> - 2.5 mm <sup>2</sup>
Flexible, min. H05(07) V-K	0.2 mm <sup>2</sup> - 2.5 mm <sup>2</sup>
With wire end ferrule, acc. to DIN 46 228/1, max.	0.2 mm <sup>2</sup> - 2.5 mm <sup>2</sup>
With wire-end ferrule with collar, DIN 46 228/4, min.	0.2 mm <sup>2</sup> - 2.5 mm <sup>2</sup>

#### Rated data according to DIN IEC

Rated current, Max. pole count (Tu=20 °C)	10 A
Rated current, Max. pole count (Tu=40 °C)	9 A
Rated voltage for surge voltage class / contamination degree III/3	250 V
Rated impulse voltage for surge voltage class / contamination degree III/3	4 kV
Rated impulse voltage for surge voltage class / contamination degree III/2	4 kV
Rated voltage for surge voltage class / contamination degree III/2	320 V
Rated voltage for surge voltage class / contamination degree II/2	400 V
Rated impulse voltage for surge voltage class / contamination degree II/2	4 kV

**Note:** Rated data according to UL – refer to the online data sheet

### Dimensional drawing



## BHZ 5.00/90 BK/OR

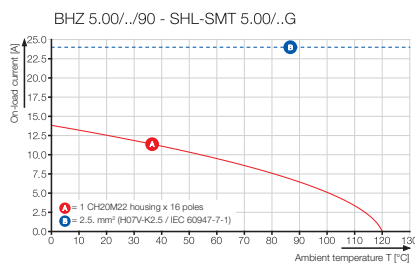
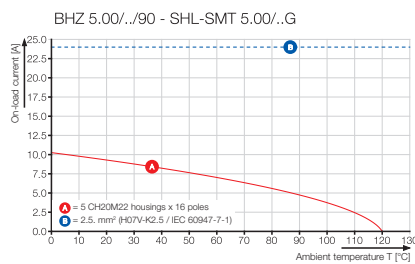


Release lever, orange

### Ordering data

Type / Version	Poles	Qty.	Order No.
BHZ 5.00/02/90LH BK/OR	2	150	1063260000
BHZ 5.00/03/90LH BK/OR	3	180	1063270000
BHZ 5.00/04/90LH BK/OR	4	78	1063280000

### Derating curve



**BHZ 5.00/90 BK/BK**



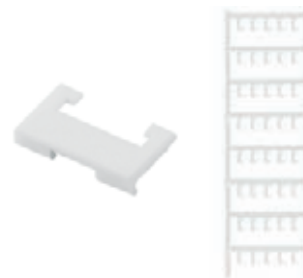
Release lever, black

**BHZ 5.00/90 BK/BL**



Release lever, blue

**Accessories**



Marker for release lever

**Ordering data**

Type / Version	Poles	Qty.	Order No.
BHZ 5.00/02/90LH BK/BK	2	150	<b>1069330000</b>
BHZ 5.00/03/90LH BK/BK	3	108	<b>1069340000</b>
BHZ 5.00/04/90LH BK/BK	4	78	<b>1069350000</b>

**Ordering data**

Type / Version	Poles	Qty.	Order No.
BHZ 5.00/02/90LH BK/BL	2	150	<b>1069360000</b>
BHZ 5.00/03/90LH BK/BL	3	108	<b>1069370000</b>
BHZ 5.00/04/90LH BK/BL	4	78	<b>1069380000</b>

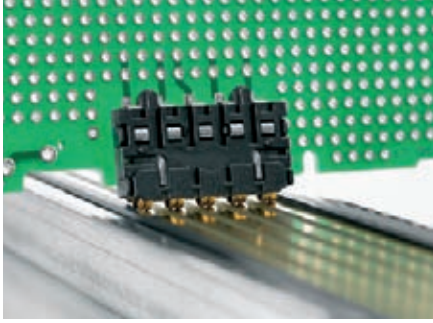
**Ordering data**

Type / Version	Poles	Qty.	Order No.
ESG 6.6/11 BHZ 5.00/02	2	200	<b>1082490000</b>
ESG 6.6/15 BHZ 5.00/03	3	200	<b>1082520000</b>
ESG 6.6/20 BHZ 5.00/04	4	200	<b>1082540000</b>

## CH20M

### Technical data

#### SR-SMD

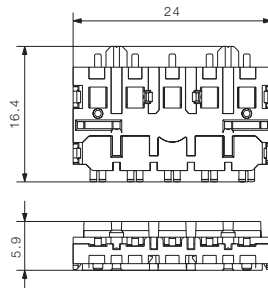


Bus contact block  
Reflow-compatible, resistant to high temperatures,  
5-pole, for rail bus

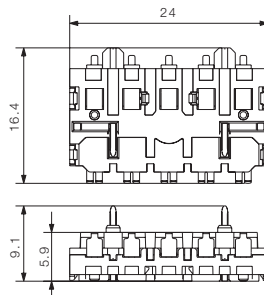
#### Technical data

Insulating material	LCP
Flammability class UL 94	V0
Rated voltage	63 V AC
Rated current	2 A

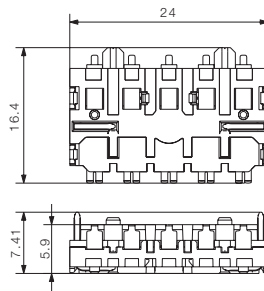
#### Dimensional drawing



For CH20M6

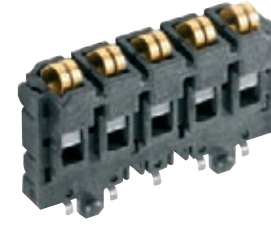


With centre solder flange for CH20M12-67



With solder flange for CH20M12-67

#### SR-SMD



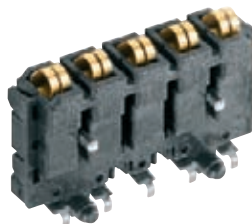
Bus contact for CH20M6

#### Ordering data

Type / Version	Qty.	Order No.
SR-SMD 4.50/05/90 AU BK BX	72	1155840000

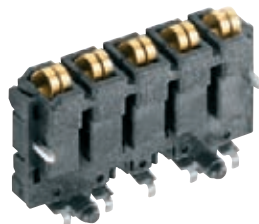


### SR-SMD



Bus contact with centre solder flange  
for CH20M12-67

### SR-SMD



Bus contact with solder flange  
for CH20M12-67

### Accessories, bus connection



#### Ordering data

Type / Version	Qty.	Order No.
SR-SMD 4.50/05/90LFM AU BK BX	72	1155870000

#### Ordering data

Type / Version	Qty.	Order No.
SR-SMD 4.50/05/90LF AU BK BX	72	1155890000

#### Bus PCB

Type / Version	Qty.	Order No.
CH20M BUS 4.50/05 AU/250	10	1248220000
CH20M BUS 4.50/05 AU/500	10	1248230000
CH20M BUS 4.50/05 AU/750	5	1248240000

#### Support section, bus circuit board

Type / Version	Qty.	Order No.
CH20M BUS-PROFIL TS 35X15/250	10	1248180000
CH20M BUS-PROFIL TS 35X15/500	10	1248190000
CH20M BUS-PROFIL TS 35X15/750	5	1248210000
CH20M BUS-PROFIL TS 35X7.5/250	5	1248150000
CH20M BUS-PROFIL TS 35X7.5/500	5	1248160000
CH20M BUS-PROFIL TS 35X7.5/750	5	1248170000

Note: length specification /XXX = 250, 500 or 750 mm

#### Hoods and end plates

Type / Version	Qty.	Order No.
CH20M BUS-ADP TS 35/250	10	1248250000
CH20M BUS-ADP TS 35/500	10	1248260000
CH20M BUS-ADP TS 35/750	5	1248270000
CH20M BUS-AP LJ TS 35X7.5 & 15	50	1193160000
CH20M BUS-AP RE TS 35X7.5 & 15	50	1193170000

Note: ADP = cover profile  
AP = end plate

# OMNIMATE Housing

## Component housing WAVEBOX

### The proven standard housing for the mounting rail

The characteristic "WAVE" design of the WAVEBOX provides optimal ventilation when used in a full electrical cabinet – especially for small component widths and high power losses.

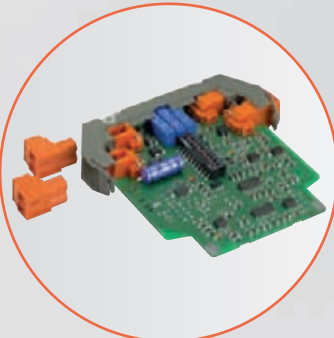
The electronics component can be removed in the field during servicing. Optionally, a spacious front element is available which can only be opened using a tool.

Weidmüller's reliable, wire-insert connection technology is available with either the screw connection or PUSH IN spring connection mechanisms.



#### Easy to operate

The transparent hinged cover protects the display and operational areas. It can be custom printed.



#### Easy to install

The connector and the electronics can be removed – this speeds up installation and service.



**Easy to select**

A large, spacious variant with a fixed head can be used instead of the tool-free pullable front element.



**Ready to use**



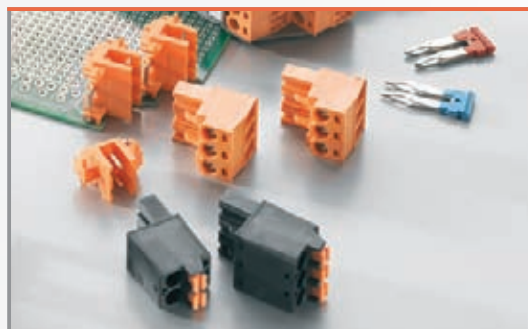
The WAVEBOX provides you with the right solution by simply combining 4 widths, 2 front elements and 2 connection levels. A small S version supplements the product line.

**Easy to service**



During service or maintenance, the component can be removed without taking apart the bottom section. Optionally available with fixed front element as well.

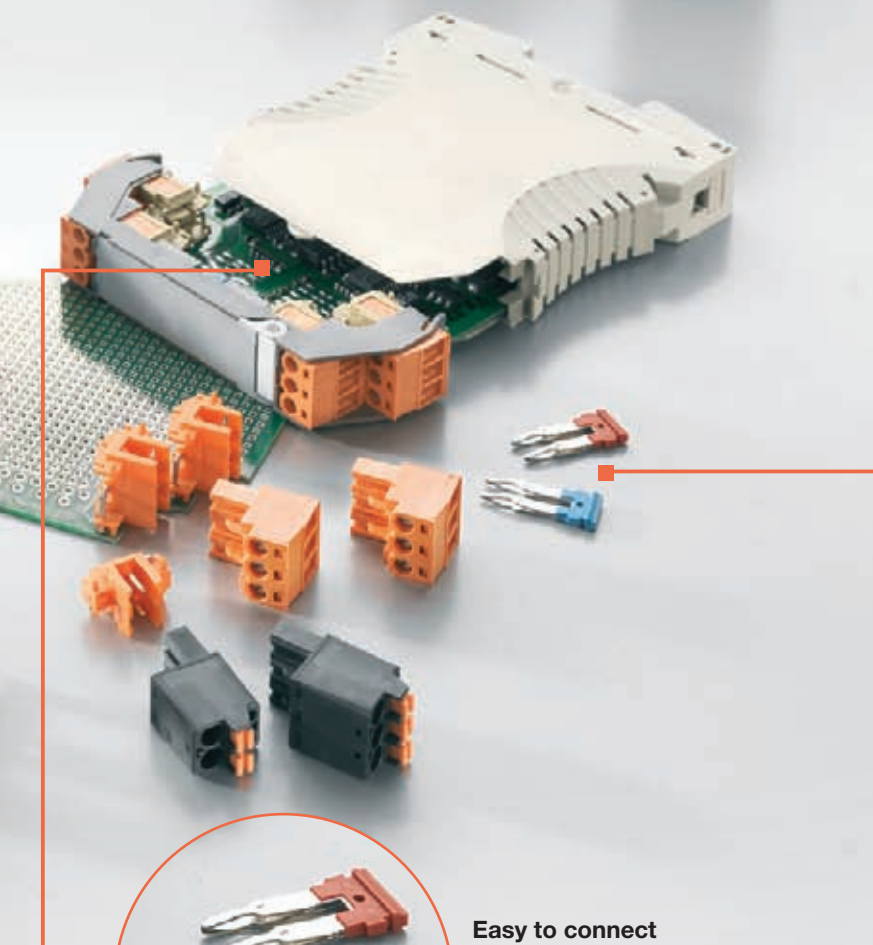
**Reliable**



Permanent, good connections: our proven PCB connectivity technology is supplemented by cross-connectors from our terminal block product line.

**Easy to connect**

Bridges allow you to implement joint power feeds or signal distribution up to 24 A without any extra wiring work.

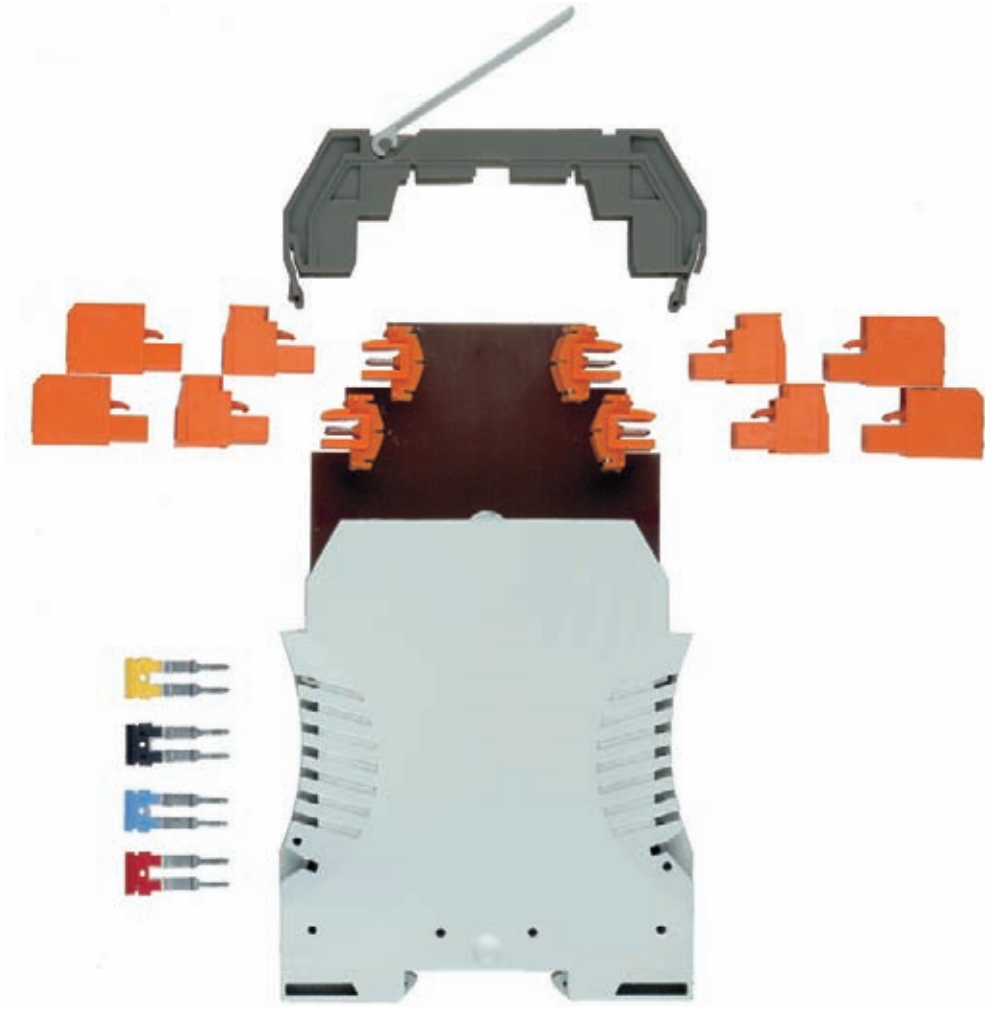


# OMNIMATE Housing

## Component housing WAVEBOX

The WAVEBOX electronics housing system is available in 4 widths. The electronics components can be removed along with the front element while in the field. Also available with a spacious fixed-mount front element.

Width	Type	Reference kit	Catalogue pages	Colour
12.5 mm	WBL 12.5	1070770000 WBL 12.5 S-Kit	I.38	■ Similar to RAL 9011
17.5 mm	WBL 17.5	1070790000 WBL 17.5 S-Kit	I.39	■ Similar to RAL 7024
22.5 mm	WBS 22.5	1070820000 WBS 22.5 S-Kit	I.40	■ Similar to RAL 7035
22.5 mm	WBL 22.5	1070840000 WBL 22.5 S-Kit	I.41	
22.5 mm	WBL 22.5 FH	1070860000 WBL FH 22.5 S-Kit	I.42	
45 mm	WBL 45	1070880000 WBL 45 S-Kit	I.43	



## Housing variants

### WBL 12.5



### WBL 17.5



### WBL 22.5



### WBS 22.5



### WBL 45



## Accessories



## Description / Type

### WAVEBOX Large, 12.5 mm

- Features:**
- 12.5 mm wide
  - 2 x 2 or 4 x 2 connections 2.5 mm<sup>2</sup>
  - Connector 400 V / 17 A (IEC)
  - Hinged cover (transparent)

## Design-Optionen

- pad printing
- markable
- machinable

### WAVEBOX Large, 12.5 mm

- Features:**
- 17.5 mm wide
  - 2 x 3 or 4 x 3 connections 2.5 mm<sup>2</sup>
  - Connector 400 V / 17 A (IEC)
  - Hinged cover (transparent)

## Design-Optionen

- pad printing
- markable
- machinable

### WAVEBOX Large, 12.5 mm

- Features:**
- 22.5 mm wide
  - 2 x 3 or 4 x 3 connections 2.5 mm<sup>2</sup>
  - Connector 400 V / 17 A (IEC)
  - Hinged cover (transparent)

## Design-Optionen

- pad printing
- markable
- machinable
- Optionally available with attached, spacious front element

### WAVEBOX Small, 12.5 mm

- Features:**
- 22.5 mm wide
  - 2 x 3 connections 2.5 mm<sup>2</sup>
  - Connector 400 V / 17 A (IEC)
  - Hinged cover (transparent)

## Design-Optionen

- pad printing
- markable
- machinable

### WAVEBOX Large, 45 mm

- Features:**
- 45 mm wide
  - Up to 8 x 3 connections, 2.5 mm<sup>2</sup>
  - Connector 400 V / 17 A (IEC)
  - Hinged cover (transparent)

## Design-Optionen

- pad printing
- markable
- machinable
- Optionally available with attached, spacious front element

## Connection system / Accessories

- Standard connector**
- Standard, pluggable female connector
  - 400 V / 17 A (IEC)
  - 300 V / 15 A (UL)
  - Cross-connector 2 x 24 A (IEC)

- Clamping yoke screw connection
- PUSH IN spring connection

## WAVEBOX

### Technical data

## WAVEBOX

A WAVEBOX 12.5 housing consists of:

- 1 housing base part with clip-on foot
- 1 top part
- 4 male connectors
- 1-4 female connectors

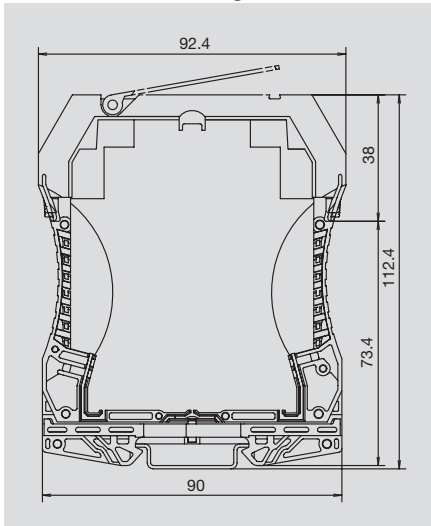
### Description

The male headers (in left and right versions depending on the construction) are soldered onto the PCB and then snapped into the head piece. This unit is then inserted in the bottom section. A proper connection is ensured by the integrated anti-twist protection. Caps can be used to cover the unused ports. A bottom housing section that can be cross-connected is also available (with ZQV2.5N/2 cross-connector).

Female plugs are available in different versions (screw or spring connection) and can be coded.

The hinged, transparent top plate on the head piece and the bottom housing section can both be laser inscribed. The top plate enables easy access for calibration.

### Dimensional drawing



## WAVEBOX 12.5



### Technical data

General data	
Dimensions W x L x H (w. TS35 x 7.5)	mm
Dimensions W x L x H (w. TS32)	
No. of connections	total
	left / right / top
Access for calibration	
Max. power loss	
Number of PCB per module	
Thickness of PCB	
Ingress protection class	
Tightening torque range	
Material	
Flammability class UL 94	
Colour of insulating material	
Clampable conductors (H05V/H07V)	
Solid	mm²
Flexible	mm²
Max. conductor AWG	
Note	

### Ordering data

Individual parts	
Bottom section with snap-on foot	cannot be cross-conn. can be cross-connected
Top part with transparent top plate mounted	
Ordering data connection method	
Pin block, 3-pole	orange, right orange, left
Pin block, 2-pole	orange, right orange, left
Socket block, clamp. yoke conn.	orange, 3-pole black, 3-pole orange, 2-pole black, 2-pole
Socket block, tension clamp connection	orange, 3-pole black, 3-pole orange, 2-pole black, 2-pole
Female plug, PUSH IN	orange, 2-pole black, 2-pole
Note	

### Accessories

Cross connection 2-pole (pluggable)	
	red
	blue
	yellow
Other accessories	
Coding element	black
Screw cap	
Self-assembly PCB	
Note	

12.5 / 92.4 / 112.4	
8	
4 / 4	
Movable top plate	
2.00 W /40°C	
1.0 (± 0.1) mm	
IP 20	
0.4...0.5 Nm	
PC	
V0	
Head piece is grey (similar to RAL 7035)/Bottom section is grey (similar to RAL 7039)	
Clamp. yoke connection	Tension clamp connection
0.2...2.5	0.2...2.5
0.2...2.5	0.2...2.5
AWG 26...AWG 12	AWG 26...AWG 12
Note	

Type	Qty.	Order No
WAVEBOX L 12.5	18	8426530000
WAVEBOX L 12.5 QV	18	8426540000
TOP UNIT L 12.5	18	8426550000
SLEH 5.08/2 RE12.5 2.4 SN OR BX	100	8427390000
SLEH 5.08/2 LI12.5 2.4 SN OR BX	100	8427400000
BLZ 5.08/02/180 SN OR BX	100	1526460000
BLZ 5.08/02/180 SN BK BX	100	1526410000
BLZF 5.08/02/180 SN OR BX	100	1707460000
BLZF 5.08/02/180 SN BK BX	100	1707690000
BLF 5.08/02/180 SN OR BX	180	1013680000
BLF 5.08/02/180 SN BK BX	180	1013430000
Note		

Type	Qty.	Order No
ZQV 2.5N/2 RT	60	1717900000
ZQV 2.5N/2 BL	60	1717990000
ZQV 2.5N/2 GE	60	1693800000
BLZ-KO SW	50	1545710000
CAP 2 WAVEBOX 12.5	20	8428130000
Note		
Full housing available as set on request.		

## WAVEBOX

A WAVEBOX 17.5 housing consists of:

- 1 housing base part with clip-on foot
- 1 top part
- 4 male connectors
- 1-4 female connectors

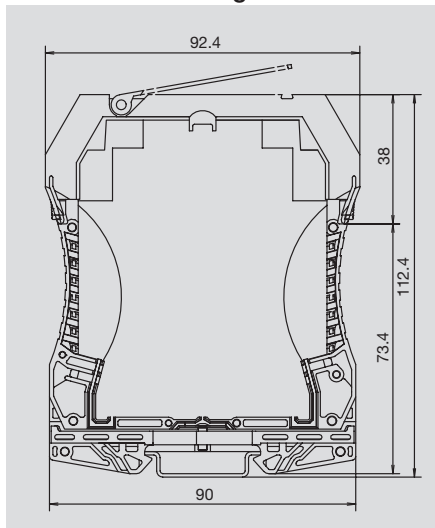
### Description

The male headers (in left and right versions depending on the construction) are soldered onto the PCB and then snapped into the head piece. This unit is then inserted in the bottom section. A proper connection is ensured by the integrated anti-twist protection. Caps can be used to cover the unused ports. A bottom housing section that can be cross-connected is also available (with ZQV2.5N/2 cross-connector).

Female plugs are available in different versions (screw or spring connection) and can be coded.

The hinged, transparent top plate on the head piece and the bottom housing section can both be laser inscribed. The top plate enables easy access for calibration.

### Dimensional drawing



### Technical data

General data	
Dimensions W x L x H (w. TS35 x 7.5)	mm
Dimensions W x L x H (w. TS32)	
No. of connections	total
	left / right / top
Access for calibration	
Max. power loss	
Number of PCB per module	
Thickness of PCB	
Ingress protection class	
Tightening torque range	
Material	
Flammability class UL 94	
Colour of insulating material	
Clampable conductors (H05V/H07V)	
Solid	mm <sup>2</sup>
Flexible	mm <sup>2</sup>
Max. conductor AWG	
Note	

### Ordering data

Individual parts	
Bottom section with snap-on foot	cannot be cross-conn. can be cross-connected
Top part with transparent top plate mounted	
Ordering data connection method	
Pin block, 3-pole	orange, right orange, left
Pin block, 2-pole	orange, right orange, left
Socket block, clamp. yoke conn.	orange, 3-pole black, 3-pole orange, 2-pole black, 2-pole
Socket block, tension clamp connection	orange, 3-pole black, 3-pole orange, 2-pole black, 2-pole
Female plug, PUSH IN	orange, 3-pole black, 3-pole
Note	

### Accessories

Cross connection 2-pole (pluggable)	
	red
	blue
	yellow
Other accessories	
Coding element	black
Screw cap	
Self-assembly PCB	
Note	

## WAVEBOX 17.5



17.5 / 92.4 / 112.4	
12	
6 / 6	
Movable top plate	
2.00 W / 40°C	
1.0 (± 0.1) mm	
IP 20	
0.4...0.5 Nm	
PC	
V0	
Head piece is grey (similar to RAL 7035)/Bottom section is grey (similar to RAL 7039)	
Clamp. yoke connection	Tension clamp connection
0.2...2.5	0.2...2.5
0.2...2.5	0.2...2.5
AWG 26...AWG 12	AWG 26...AWG 12
Note	

Type	Qty.	Order No
WAVEBOX L 17.5	12	8426560000
WAVEBOX L 17.5 QV	12	8426570000
TOP UNIT L 17.5	12	8426580000
SLEH 5.08/3 RE22.5 2.4 SN OR BX	100	8449220000
SLEH 5.08/3 LI22.5 2.4 SN OR BX	100	8449230000
BLZ 5.08/03/180 SN OR BX	100	1526560000
BLZ 5.08/03/180 SN BK BX	100	1526510000
BLZF 5.08/03/180 SN OR BX	100	1707470000
BLZF 5.08/03/180 SN BK BX	100	1707700000
BLF 5.08/03/180 SN OR BX	120	1013690000
BLF 5.08/03/180 SN BK BX	120	1013440000
Note		

Type	Qty.	Order No
ZQV 2.5N/2 RT	60	1717900000
ZQV 2.5N/2 BL	60	1717990000
ZQV 2.5N/2 GE	60	1693800000
BLZ-KO SW	50	1545710000
CAP WAVEBOX L22.5/17.5	20	8428120000
Note		
Full housing available as set on request.		

## WAVEBOX

### Technical data

## WAVEBOX

A WAVEBOX S 22.5 housing consists of:

- 1 housing base part with clip-on foot
- 1 top part
- 2 male connectors
- 1-2 female connectors

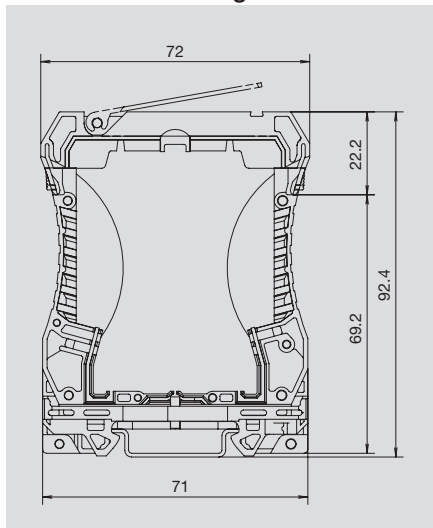
### Description

The male headers (in left and right versions depending on the construction) are soldered onto the PCB and then snapped into the head piece. This unit is then inserted in the bottom section. A proper connection is ensured by the integrated anti-twist protection. Caps can be used to cover the unused ports. A bottom housing section that can be cross-connected is also available (with ZQV2.5N/2 cross-connector).

Female plugs are available in different versions (screw or spring connection) and can be coded.

The hinged, transparent top plate on the head piece and the bottom housing section can both be laser inscribed. The top plate enables easy access for calibration.

### Dimensional drawing



## WAVEBOX S 22.5



### Technical data

General data	
Dimensions W x L x H (w. TS35 x 7.5)	mm
Dimensions W x L x H (w. TS32)	
No. of connections	total
	left / right / top
Access for calibration	
Max. power loss	
Number of PCB per module	
PCB contacting	
Thickness of PCB	
Ingress protection class	
Tightening torque range	
Material	
Flammability class UL 94	
Colour of insulating material	
Clampable conductors (H05V/H07V)	
Solid	mm <sup>2</sup>
Flexible	mm <sup>2</sup>
Max. conductor AWG	
Note	

22.5 / 72 / 92.4	
6	
3 / 3	
Movable top plate	
2.00 W /40°C	
soldered connection, directly	
1.0 (± 0.1) mm	
IP 20	
0.4...0.5 Nm	
PC	
V0	
Head piece is grey (similar to RAL 7035)/Bottom section is grey (similar to RAL 7039)	
Clamp. yoke connection	Tension clamp connection
0.2...2.5	0.2...2.5
0.2...2.5	0.2...2.5
AWG 26...AWG 12	AWG 26...AWG 12
Note	

### Ordering data

Individual parts	
Bottom section with snap-on foot	cannot be cross-conn. can be cross-connected
Top part with transparent top plate mounted	
Ordering data connection method	
Pin block, 3-pole	orange, right orange, left
Pin block, 2-pole	orange, right orange, left
Socket block, clamp. yoke conn.	orange, 3-pole black, 3-pole orange, 2-pole black, 2-pole
Socket block, tension clamp connection	orange, 3-pole black, 3-pole orange, 2-pole black, 2-pole
Female plug, PUSH IN	orange, 3-pole black, 3-pole
Note	

Type	Qty.	Order No
WAVEBOX S 22.5	18	8426530000
WAVEBOX S 22.5 QV	18	8426540000
TOP UNIT S 22.5	18	8426550000
SLEH 5.08/3 RE22.5 2.4 SN OR BX	100	8426620000
SLEH 5.08/3 LI22.5 2.4 SN OR BX	100	8426630000
BLZ 5.08/03/180 SN OR BX	100	1526560000
BLZ 5.08/03/180 SN BK BX	100	1526510000
BLZF 5.08/03/180 SN OR BX	100	1707470000
BLZF 5.08/03/180 SN BK BX	100	1707700000
BLF 5.08/03/180 SN OR BX	120	1013690000
BLF 5.08/03/180 SN BK BX	120	1013440000
Note		

### Accessories

Cross connection 2-pole (pluggable)	
	red
	blue
	yellow
Other accessories	
Coding element	black
Screw cap	
Self-assembly PCB	
Note	

Type	Qty.	Order No
ZQV 2.5N/2 RT	60	1717900000
ZQV 2.5N/2 BL	60	1717990000
ZQV 2.5N/2 GE	60	1693800000
BLZ-KO SW	50	1545710000
CAP WAVEBOX L22.5/17.5	20	8428120000
WB S PCB SAMPLE	1	4074820000
Note		
Full housing available as set on request.		



## WAVEBOX

A WAVEBOX L 22.5 housing consists of:

- 1 housing base part with clip-on foot
- 1 top part
- 4 male connectors
- 1-4 female connectors

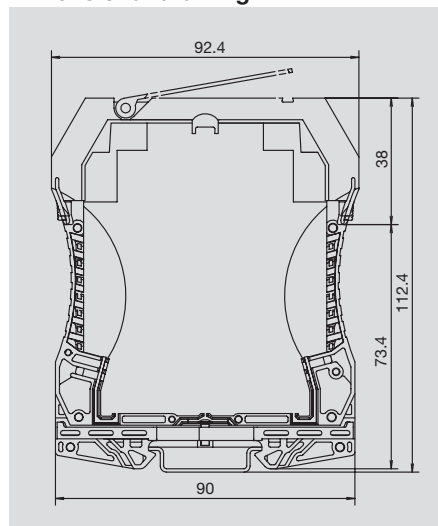
## Description

The male headers (in left and right versions depending on the construction) are soldered onto the PCB and then snapped into the head piece. This unit is then inserted in the bottom section. A proper connection is ensured by the integrated anti-twist protection. Caps can be used to cover the unused ports. A bottom housing section that can be cross-connected is also available (with ZQV2.5N/2 cross-connector).

Female plugs are available in different versions (screw or spring connection) and can be coded.

The hinged, transparent top plate on the head piece and the bottom housing section can both be laser inscribed. The top plate enables easy access for calibration.

## Dimensional drawing



## Technical data

General data	
Dimensions W x L x H (w. TS35 x 7.5)	mm
Dimensions W x L x H (w. TS32)	
No. of connections	total
	left / right / top
Access for calibration	
Max. power loss	
Number of PCB per module	
Thickness of PCB	
Ingress protection class	
Tightening torque range	
Pollution severity	
Material	
Flammability class UL 94	
Colour of insulating material	
Clampable conductors (H05V/H07V)	
Solid	mm <sup>2</sup>
Flexible	mm <sup>2</sup>
Max. conductor AWG	
Note	

## Ordering data

Individual parts	
Bottom section with snap-on foot	cannot be cross-conn. can be cross-connected
Top part with transparent top plate mounted	
Ordering data connection method	
Pin block, 3-pole	orange, right orange, left
Pin block, 2-pole	orange, right orange, left
Socket block, clamp. yoke conn.	orange, 3-pole black, 3-pole orange, 2-pole black, 2-pole
Socket block, tension clamp connection	orange, 3-pole black, 3-pole orange, 2-pole black, 2-pole
Female plug, PUSH IN	orange, 3-pole black, 3-pole
Note	

## Accessories

Cross connection 2-pole (pluggable)	
	red
	blue
	yellow
Other accessories	
Coding element	black
Screw cap	
Self-assembly PCB	
Note	

## WAVEBOX L 22.5



Dimensions W x L x H (w. TS35 x 7.5)	mm	17.5 / 92.4 / 112.4
No. of connections	total	12
	left / right / top	6 / 6
Access for calibration		Movable top plate
Max. power loss		2.00 W /40°C
Number of PCB per module		1
Thickness of PCB		1.0 (± 0.1) mm
Ingress protection class		IP 20
Tightening torque range		0.4...0.5 Nm
Pollution severity		
Material		PC
Flammability class UL 94		V0
Colour of insulating material		Head piece is grey (similar to RAL 7035)/Bottom section is grey (similar to RAL 7039)
Clamp. yoke connection		Tension clamp connection
0.2...2.5		0.2...2.5
0.2...2.5		0.2...2.5
AWG 26...AWG 12		AWG 26...AWG 12
Note		

Type	Qty.	Order No
WAVEBOX L 22.5	10	8426470000
WAVEBOX L 22.5 QV	10	8426480000
TOP UNIT L 22.5	10	8426490000
SLEH 5.08/3 RE22.5 2.4 SN OR BX	100	8426620000
SLEH 5.08/3 LI22.5 2.4 SN OR BX	100	8426630000
BLZ 5.08/03/180 SN OR BX	100	1526560000
BLZ 5.08/03/180 SN BK BX	100	1526510000
BLZF 5.08/03/180 SN OR BX	100	1707470000
BLZF 5.08/03/180 SN BK BX	100	1707700000
BLF 5.08/03/180 SN OR BX	120	1013690000
BLF 5.08/03/180 SN BK BX	120	1013440000
Note		

Type	Qty.	Order No
ZQV 2.5N/2 RT	60	1717900000
ZQV 2.5N/2 BL	60	1717990000
ZQV 2.5N/2 GE	60	1693800000
BLZ-KO SW	50	1545710000
CAP WAVEBOX L22.5/17.5	20	8428120000
WB L PCB SAMPLE	1	4074640000
Note		
Full housing available as set on request.		

## WAVEBOX

### Technical data

## WAVEBOX

A WBL 22.5 FH housing consists of:

- 1 housing base part with clip-on foot
- 1 top part
- 2 male connectors
- 1-2 female connectors

### Description

The male headers (in left and right versions depending on the construction) are soldered onto the PCB and then snapped into the head piece. This unit is then inserted in the bottom section. A proper connection is ensured by the integrated anti-twist protection.

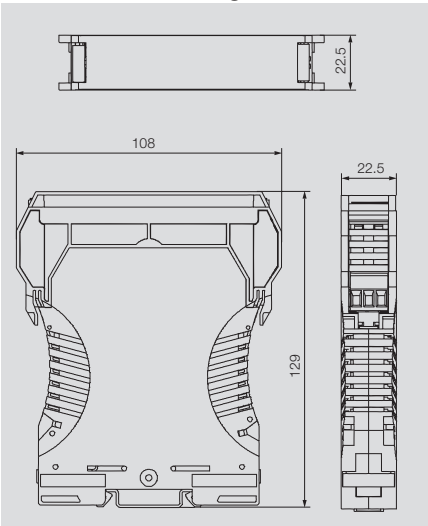
Caps can be used to cover the unused ports. A bottom housing section that can be cross-connected is also available (with ZQV2.5N/2 cross-connector).

Female plugs are available in different versions (screw or spring connection) and can be coded.

Only one tool is needed to open up the top.

The usable surface on the PCB is more than 8000 mm<sup>2</sup>

### Dimensional drawing



## WAVEBOX L 22.5 FH



### Technical data

General data	
Dimensions W x L x H (w. TS35 x 7.5)	mm
Dimensions W x L x H (w. TS32)	
No. of connections	total
	left / right / top
Access for calibration	
Max. power loss	
Number of PCB per module	
Thickness of PCB	
Ingress protection class	
Tightening torque range	
Pollution severity	
Material	
Flammability class UL 94	
Colour of insulating material	
Clampable conductors (H05V/H07V)	
Solid	mm <sup>2</sup>
Flexible	mm <sup>2</sup>
Max. conductor AWG	
Note	

22.5 / 108 / 129	
12	
6 / 6	
detachable top plate	
4 W /40°C (Horizontal mounting on terminal rail)	
1	
1.0 (± 0.2) mm	
IP 20	
0.4...0.5 Nm	
PC	
VO	
Head piece is grey (similar to RAL 7035)/Bottom section is grey (similar to RAL 7039)	
Clamp. yoke connection	Tension clamp connection
0.2...2.5	0.2...2.5
0.2...2.5	0.2...2.5
AWG 26...AWG 12	AWG 26...AWG 12
Note	

### Ordering data

Individual parts	
Bottom section with snap-on foot	cannot be cross-conn. can be cross-connected
Top part with transparent top plate mounted	
Ordering data connection method	
Pin block, 3-pole	orange, right orange, left
Pin block, 2-pole	orange, right orange, left
Socket block, clamp. yoke conn.	orange, 3-pole black, 3-pole orange, 2-pole black, 2-pole
Socket block, tension clamp connection	orange, 3-pole black, 3-pole orange, 2-pole black, 2-pole
Female plug, PUSH IN	orange, 3-pole black, 3-pole
Note	

Type	Qty.	Order No
WAVEBOX L 22.5	10	8426470000
WAVEBOX L 22.5 QV	10	8426480000
WBL 22.5 TU GY	10	1964640000
SLEH 5.08/3 RE22.5 2.4 SN OR BX	100	8426620000
SLEH 5.08/3 LI22.5 2.4 SN OR BX	100	8426630000
BLZ 5.08/03/180 SN OR BX	100	1526560000
BLZ 5.08/03/180 SN BK BX	100	1526510000
BLZF 5.08/03/180 SN OR BX	100	1707470000
BLZF 5.08/03/180 SN BK BX	100	1707700000
BLF 5.08/03/180 SN OR BX	120	1013690000
BLF 5.08/03/180 SN BK BX	120	1013440000
Note		

### Accessories

Cross connection 2-pole (pluggable)	
	red
	blue
	yellow
Other accessories	
Coding element	black
Screw cap	
Self-assembly PCB	
Note	

Type	Qty.	Order No
ZQV 2.5N/2 RT	60	1717900000
ZQV 2.5N/2 BL	60	1717990000
ZQV 2.5N/2 GE	60	1693800000
BLZ-KO SW	50	1545710000
CAP WAVEBOX L22.5/17.5	20	8428120000
Note		
Full housing available as set on request.		

## WAVEBOX

A WBL 45 FH housing consists of:

- 1 housing base part with clip-on foot
- 1 top part
- 4 male connectors
- 1-4 female connectors

### Description

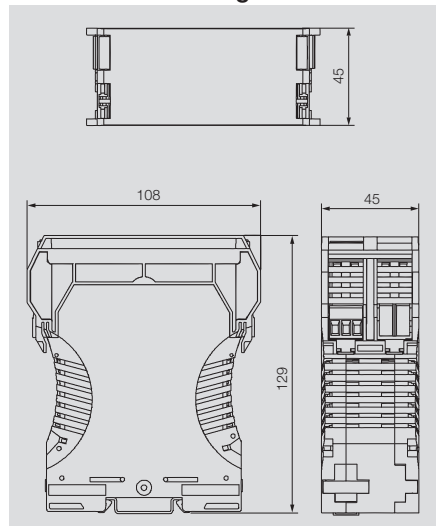
The male headers (in left and right versions depending on the construction) are soldered onto the PCB and then snapped into the head piece. This unit is then inserted in the bottom section. A proper connection is ensured by the integrated anti-twist protection.

Caps can be used to cover the unused ports. Female plugs are available in different versions (screw or spring connection) and can be coded.

Only one tool is needed to open up the top.

The usable surface on the PCB is more than 8000 mm<sup>2</sup>

### Dimensional drawing



## WAVEBOX L 45 FH



### Technical data

General data	
Dimensions W x L x H (w. TS35 x 7.5)	mm
Dimensions W x L x H (w. TS32)	
No. of connections	total
	left / right / top
Access for calibration	
Max. power loss	
Number of PCB per module	
Thickness of PCB	
Ingress protection class	
Tightening torque range	
Pollution severity	
Material	
Flammability class UL 94	
Colour of insulating material	
Clampable conductors (H05V/H07V)	
Solid	mm <sup>2</sup>
Flexible	mm <sup>2</sup>
Max. conductor AWG	
Note	

45 / 108 / 129	
12	
6 / 6	
detachable top plate	
7 W /40°C (Horizontal mounting on terminal rail)	
1	
1.0 (± 0.2) mm	
IP 20	
0.4...0.5 Nm	
PC	
V0	
Head piece is grey (similar to RAL 7035)/Bottom section is grey (similar to RAL 7039)	
Clamp. yoke connection	Tension clamp connection
0.2...2.5	0.2...2.5
0.2...2.5	0.2...2.5
AWG 26...AWG 12	AWG 26...AWG 12
Note	

### Ordering data

Individual parts	
Bottom section with snap-on foot	cannot be cross-conn. can be cross-connected
Top part with transparent top plate mounted	
Ordering data connection method	
Pin block, 3-pole	orange, right orange, left
Pin block, 2-pole	orange, right orange, left
Socket block, clamp. yoke conn.	orange, 3-pole black, 3-pole orange, 2-pole black, 2-pole
Socket block, tension clamp connection	orange, 3-pole black, 3-pole orange, 2-pole black, 2-pole
Female plug, PUSH IN	orange, 3-pole black, 3-pole
Note	

Type	Qty.	Order No
WBL 45 BU QV GY	10	1964650000
WBL 45 TU GY	10	1964660000
SLEH 5.08/3 RE22.5 2.4 SN OR BX	100	8426620000
SLEH 5.08/3 LI22.5 2.4 SN OR BX	100	8426630000
BLZ 5.08/03/180 SN OR BX	100	1526560000
BLZ 5.08/03/180 SN BK BX	100	1526510000
BLZF 5.08/03/180 SN OR BX	100	1707470000
BLZF 5.08/03/180 SN BK BX	100	1707700000
BLF 5.08/03/180 SN OR BX	120	1013690000
BLF 5.08/03/180 SN BK BX	120	1013440000
Note		

### Accessories

Cross connection 2-pole (pluggable)	
	red
	blue
	yellow
Other accessories	
Coding element	black
Screw cap	
Self-assembly PCB	
Note	

Type	Qty.	Order No
ZQV 2.5N/2 RT	60	1717900000
ZQV 2.5N/2 BL	60	1717990000
ZQV 2.5N/2 GE	60	1693800000
BLZ-KO SW	50	1545710000
CAP WAVEBOX L22.5/17.5	20	8428120000
Note		
Full housing available as set on request.		

**MICROBOX / TERMINALBOX**

Explanation

# OMNIMATE Housing MICROBOX / TERMINALBOX

The MICROBOX and TERMINALBOX series of small housings are the perfect solution for miniature sliced applications or for the protective circuitry used in connection with terminal blocks.

Up to 6 wires can be connected using the integrated (but high-performance) clamping-yoke screw or tension-clamp wire connection mechanisms.

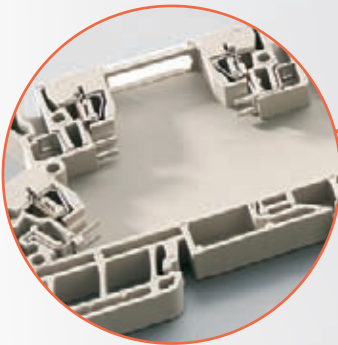
Because of its closed construction, each individual MICROBOX is finger-safe. The TERMINALBOX can be aligned side-by-side without end or closed off using an end plate.

Pluggable cross-connectors from our terminal block line allow simple, safe power distribution of up to 32 A.



**Secure contacts**

The TERMINALBOX MCZ 1.5 can optionally be equipped with a contact element that automatically establishes contact with the rail when the housing is snapped on.



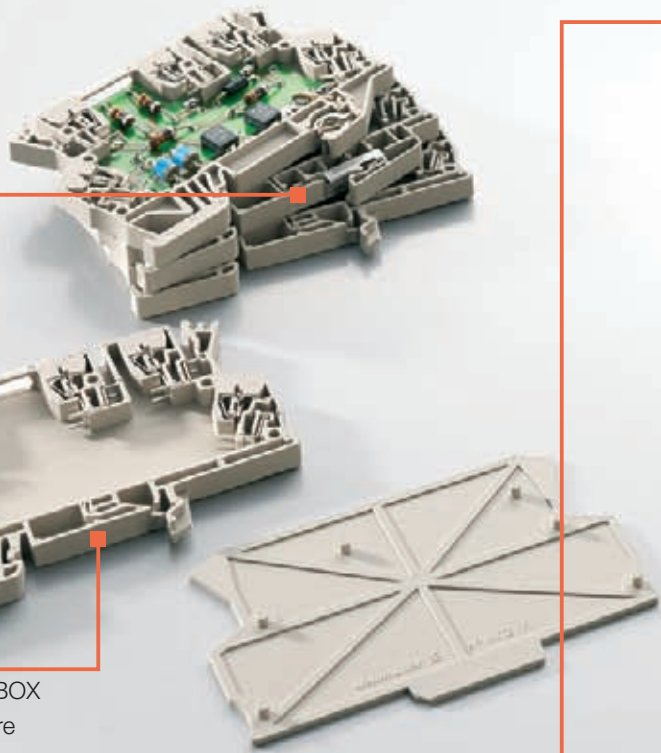
**Compact integration**

With a width of only 6.00 mm, the TERMINALBOX MCZ 1.5 provides enough space for a miniature circuit board and 5 tension clamp connection for wires up to 1.5 mm<sup>2</sup>.



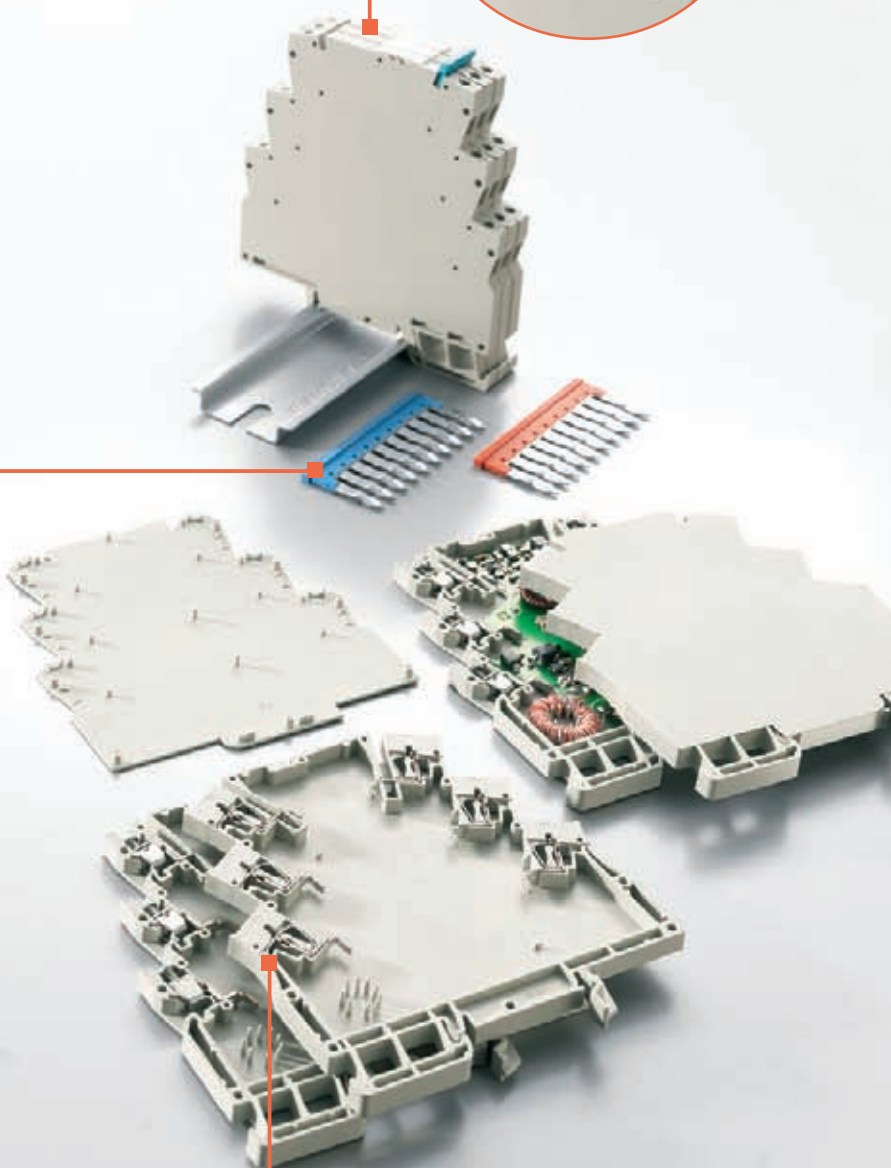
**Seamlessly connected**

High-power cross-connectors allow power (up to 32 A) to be easily and quickly distributed on up to three levels.



**Easy to operate**

The transparent hinged covers make adjustments simple (for example, using DIP switches). Labelling is also possible.



**Connect reliably**

The MICROBOX provides a permanent, secure clamp connection for 6 wires up to 2.5 mm<sup>2</sup> (MHS 6 with clamping yoke screw connection) or up to 1.5 mm<sup>2</sup> (MHZ 6 with tension-clamp spring connection).

**MICROBOX MHS 6**



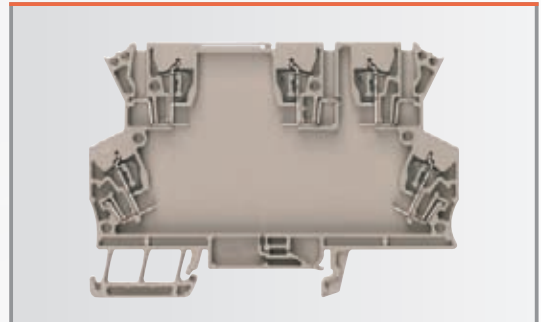
Miniature sliced-section housing in 6.1 mm width A total of 6 clamping yoke screw connections (for 2.5 mm<sup>2</sup> wires) can be manually or selectively wave soldered.

**MICROBOX MHZ 6**



Miniature sliced-section housing in 6.1 mm width A total of 6 tension clamp connection (for 1.5 mm<sup>2</sup> wires) can be manually or selectively wave soldered.

**TERMINALBOX MCZ 1.5**



Terminal-block-format open housings with tension clamp connection for wires up to 1.5 mm<sup>2</sup>. A total of 5 connection elements can be manually or selectively wave soldered.



### MCZ 1.5

The transparent hinged top plate is used for labelling and calibration. Maximum equipment level requires 2 short and 3 long current bars. The space available and the number of connections can be doubled using the frame. CAD drawings that ease the production of layouts and equipping of boards (details of blocked area, max. component heights, pads, etc.), are available on request. The MCZ housing kit consists of:

- 1 terminal holder
- 1 top plate
- 1-5 current bars with tension clamp
- 1 end plate (if required)

### Technical data

General data	
Dimensions W x L x H (w. TS35 x 7.5)	mm
No. of connections	total
Access for calibration	
Shielding	
Contact to the mounting rail	
Number of PCB per module	
PCB-connection	
Thickness of PCB	
Ingress protection class	
Tightening torque range	
Stripping length	
Pollution severity	
Material	
Flammability class UL 94	
Colour of insulating material	
Clampable conductors (H05V/H07V)	
Solid	mm <sup>2</sup>
Flexible	mm <sup>2</sup>
Max. conductor AWG	
Plug gauge to 60947-1	
Note	

### Ordering data

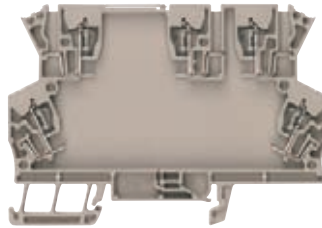
Individual parts	
<b>For mounting rail TS35</b>	with connection element for connection element for mounting rail contact, for connection element
<b>For mounting rail TS32</b>	with connection element
<b>Frame for TS35</b>	
<b>Frame for TS35</b>	for connection element
<b>Frame for TS32</b>	
<b>Top part</b>	open closed
<b>Current bars (w. tension clamp)</b>	short version long version
<b>Current bars</b>	horizontal vertical
<b>Clamp. yoke unit</b>	clamp. yoke + screw
<b>Screw</b>	
<b>Clamping yoke</b>	
<b>Mounting rail contact</b>	
Housing cover	
Note	

### Accessories

End plate	
Cross-connection	
Note	

### MCZ 1.5

#### Tension clamp connection



6 / 91.3 / 63.5	
5	
Movable top plate	
not available	
Earthing-contact	
1	
soldered connection, directly	
1.0 (+ 0.2) mm	
IP 20	
6 mm	
3	
PA	
V0	
beige/black	
Screw connection	Tension clamp connection
	0.2...1.5
	0.2...1.5
	AWG 26...AWG 16
Note	

Type	Qty.	Order No
MCZ 5	10	8857560000
GH MCZ1.5	1	2224220000
GH MCZUE1.5/UE	1	2312290000
RA MCZ1.5	25	2224240000
KOPL MCZ1.5	18	2224040000
SMSE KU FE MCZ 1.5	1	2224390000
SMSE LN FE MCZ 1.5	1	2224380000
SMSE FE MCZ 1.5/PE	100	1003280000
Note		

Type	Qty.	Order No
AP MCZ1.5	50	8389030000
ZQV 4N/2 RT	60	1793950000
ZQV 4N/2 BL	60	1793960000
ZQV 4N/2 GE	60	1758250000
Full housing available as set on request.		

# OMNIMATE Housing RS

## Profile housing

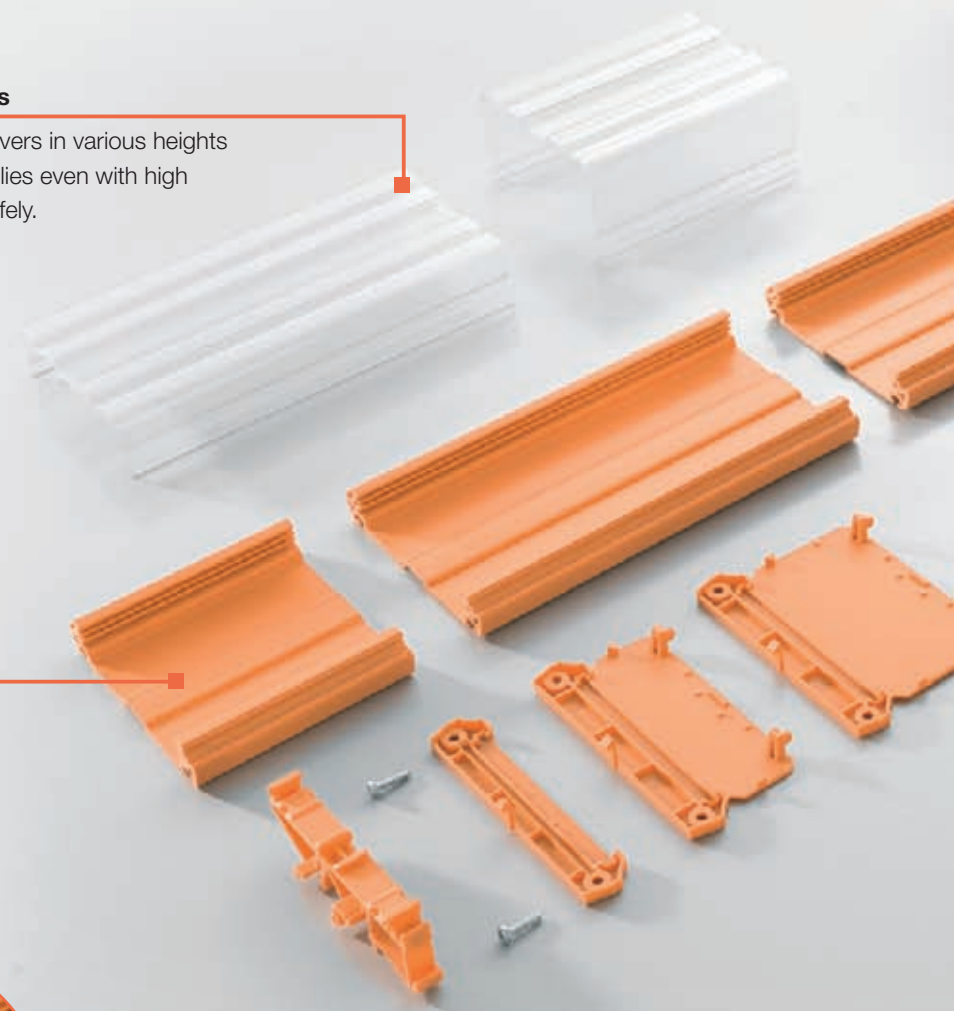
### Flexible – more flexible – Profilform

Build housing in profile form – the flexible modular system of coloured and transparent PVC profiles and carrier modules the perfect combination of any mounting utilising standard pitches and precisely cut to length, this creates the perfect balance between flexibility and efficiency: The modular approach is ideal for assemblies with high space requirements and is particularly suited for small quantities or variable widths.



#### Flexible covers

See-through covers in various heights protect assemblies even with high components safely.



#### Flexible installation

Extruded profiles can take several modules next to each other. Depending on the type of circuit boards can be installed on two different levels.





### Flexible lengths

Cut, or joined together in a row: extruded profiles can be easily adjusted to the space requirements of every application.



### Variable RS-profile housing



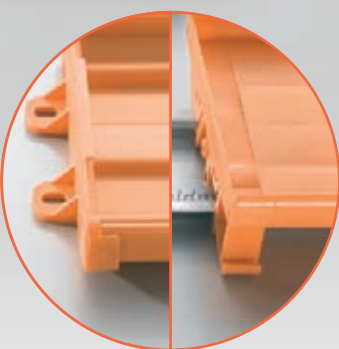
Variable, precision cut extruded profile with different height cover hods allow maximum packing density even for large electronic sub-assemblies.



### Modular RS-profile housing



Tool-free latching profiles with standard widths from 5 to 45 mm allow rapid assembly of tailor made solutions.



### Flexible mounting

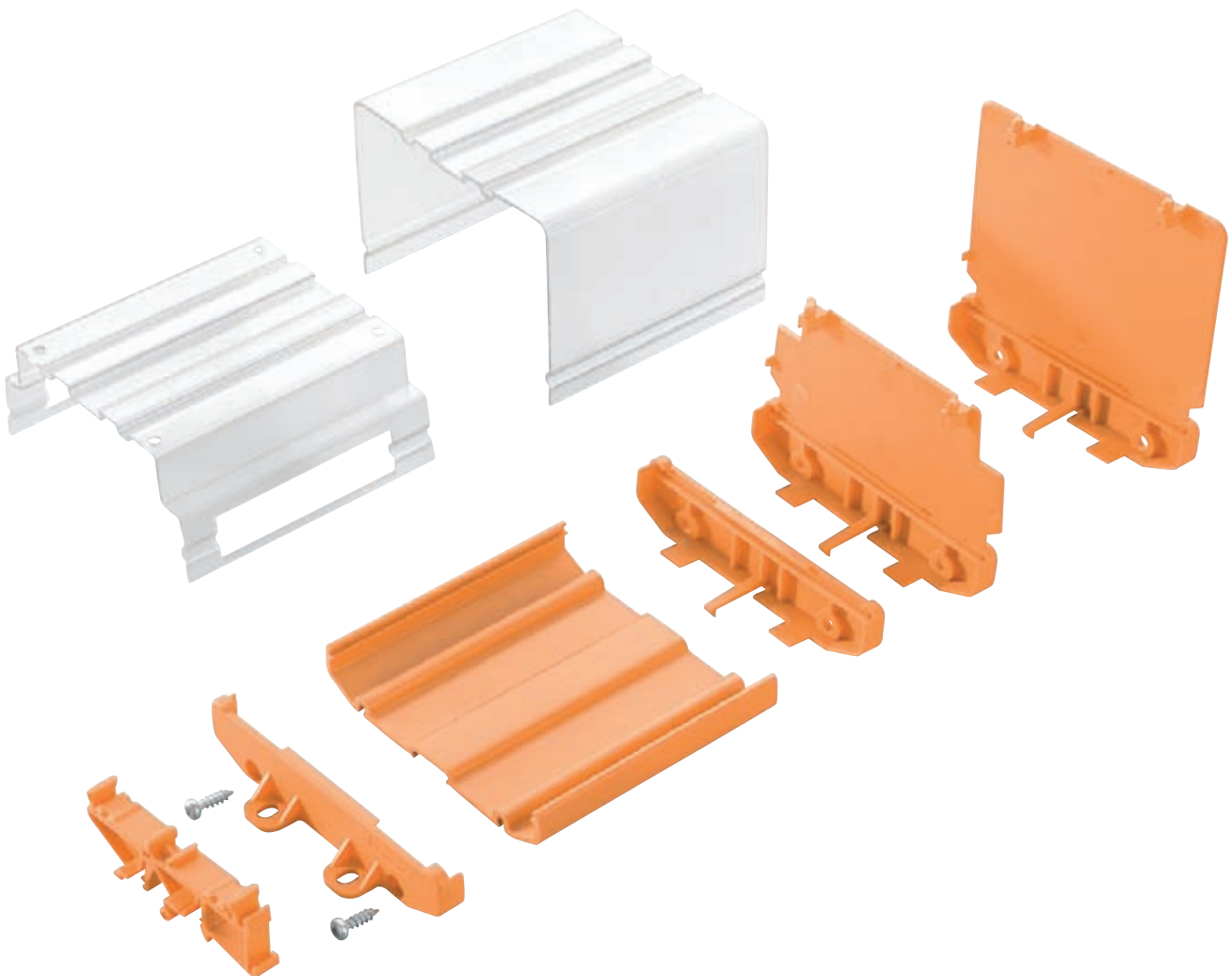
Mounting options: snapped onto the mounting rail or directly secured using screws.

# OMNIMATE Housing RS

## Profile housing

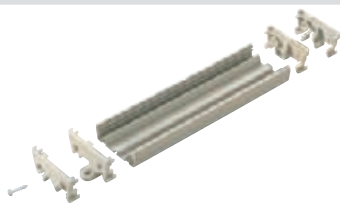
RS profile housings can be snapped on to DIN rails or mounted directly. They are available in six widths. The extruded profiles can be cut to length or joined together in modules and are ideal for low volume, special assemblies or test set-ups. Fitted transparent hoods are used to protect the components.

Width	Type	Construction/Width of circuit board	Catalogue pages	Colour
45 mm	RS 45	Variable / 42 mm	1.52	■ Similar to RAL 9011
70 mm	RS 70	Modular / 67.8 mm	1.53	■ Similar to RAL 7024
87 mm	RS 80	Variable / 67.8 mm	1.54	■ Similar to RAL 2000
86 mm	RS 90	Variable / 79.8 mm	1.55	
109 mm	RS 100	Variable / 100 mm	1.56	
130.8 mm	RS 122	Variable / 122 mm	1.57	



## Housing variants

### RS 45



### RS 70



### RS 80



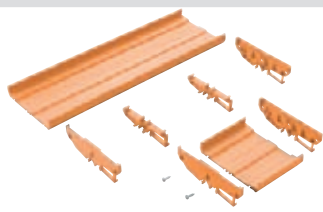
### RS 90



### RS 100



### RS 122



## Description / Type

### RS extruded profile 45 mm variable

#### Features:

- Width 45 mm
- Circuit board width: 42 mm
- Number of circuit boards (max.): 1
- Protection class (max.): IP 00

## Design options



- Can be shortened to any length
- Rail mounted
- Direct mount <sup>2)</sup>
- machinable



### RS extruded profile 70 mm modular

#### Features:

- Width 70 mm
- Circuit board width: 67.8 mm
- Number of circuit boards (max.): 1
- Protection class (max.): IP 00

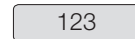


- Can be aligned side-by-side without any tools
- Rail mounted

### RS extruded profile 80 mm variable

#### Features:

- Width 87 mm
- Circuit board width: 67.8 mm
- Number of circuit boards (max.): 1
- Protection class (max.): IP 20
- Markable



- Can be shortened to any length
- Rail mounted
- Direct mount <sup>2)</sup>
- Transparent hood (opt.)
- machinable

### RS extruded profile 90 mm variable

#### Features:

- Width 86 mm
- Circuit board width: 79.8 mm
- Number of circuit boards (max.): 1
- Protection class (max.): IP 00



- Can be shortened to any length
- Rail mounted
- Direct mount <sup>2)</sup>
- machinable

### RS extruded profile 100 mm variable

#### Features:

- Width 109 mm
- Circuit board width: 100 mm
- Number of circuit boards (max.): 1
- Protection class (max.): IP 20



- Can be shortened to any length
- Rail mounted
- Direct mount <sup>2)</sup>
- Transparent hood (opt.)
- machinable

### RS extruded profile 122 mm variable

#### Features:

- Width 130.8 mm
- Circuit board width: 122 mm
- Number of circuit boards (max.): 2
- Protection class (max.): IP 00



- Can be shortened to any length
- Rail mounted
- machinable

**Profile housing**  
**Technical data**

**RS 45**

Chassis plus 4 screws available in two versions:

Rail-mounted version

- 2 end plates for rail mounting
- 1 extruded profile, Direct-mount version
- 2 end plates for direct mounting
- 1 extruded profile

**Description**

3 heights are available for cover profile and end plates:

TS-mounting:

TS32 = 45 mm, TS35x7.5 = 40.5 mm

Direct mounting: 24 mm

Dimensions of PCB

Thickness: 1.6 (±0.2) mm, width:

42 (+0.5) mm

Size of RS segment = PCB length - 4.5 mm

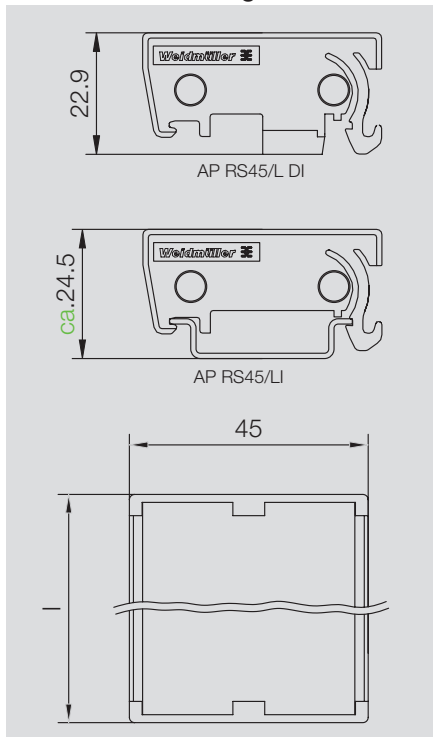
Size of ADP segment = PCB length - 1 mm

Example:

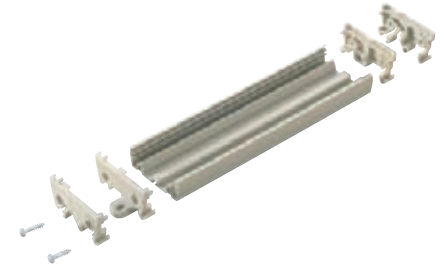
PCB length 160 mm,

RS = 155.5 mm, ADP = 159 mm

**Dimensioned drawing**



**RS 45**



**Technical data**

**General data**

Number of PCB per module  
Thickness of PCB  
Material  
Flammability class UL 94  
Colour of insulating material

**Note**

1
1.6 (± 0.2) mm
PVC/PA
V2
beige

**Ordering data**

**Extruded profile**

2000 mm	orange
2000 mm	grey
1000 mm	grey
155 mm	orange

**Intermediate piece**

5 mm
15 mm
25 mm
30 mm
45 mm

**End plate w. locking foot**

Without cover	grey, left version
	grey, right-hand version
	orange, left version
	orange, right-hand version

**Locking foot**

	orange
	grey
With marking facilities	left version
	right version
Without marking facilities	left version
	right version
Central	intermediate foot

**End plate for direct mounting**

Without cover	grey, left version
	grey, right version
	orange
	grey
For medium-high cover profile	orange
	grey
For high cover profile	orange
	grey

**End plate for mounting rail installation**

Without cover	orange
	grey
For medium-high cover profile	orange
	grey
For high cover profile	orange
	grey

Cover profile 1000 mm	Medium-high
	high

Screws

**Note**

Type	Qty.	Order No.
RF RS 45 OR 2000	V0 1	4340430000
PF RS 45 GR 2000	V0 1	4027750000
PF RS 45 GR 1000	V0 10	8140880000

AP 45/LI	V2 20	8143910000
AP 45/RE	V2 20	8143900000
AP 45/LI OR	V2 20	1011590000
AP 45/RE OR	V2 20	1011600000

AP 45/LI DI	V2 20	8140870000
AP 45/RE DI	V2 20	8140860000

ADP 1/HP1 1M	V2 1	0485200000
--------------	------	------------

LKSC M2.9x13VZ	100	4011200000
----------------	-----	------------

Other lengths on request.

## RS 70

Chassis Form:

Rail-mounted version

- 1 clip-on foot left
- 1 clip-on foot right
- 1 or more intermediate pieces
- 1 clip-on foot centre if required

### Description

Height: TS32 = 33.5 mm, TS35x7.5 = 29 mm

Dimensions of PCB:

Thickness: 1.6 (± 0.2) mm

Length: 67.8 (- 0.2) mm

Width of intermediate piece = PCB width - 2x9mm (snap-on feet)

Example:

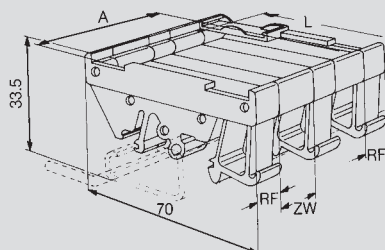
PCB width = 68 mm

Width of intermediate piece = 50 mm

Intermediate piece 2x ZW 25 RS or

ZW 45 RS + ZW 5 RS

### Dimensioned drawing



### Technical data

#### General data

Number of PCB per module	
Thickness of PCB	
Material	
Flammability class UL 94	
Colour of insulating material	

#### Note

### Ordering data

#### Extruded profile

2000 mm	orange
2000 mm	grey
1000 mm	grey
155 mm	orange

#### Intermediate piece

5 mm	
15 mm	
25 mm	
30 mm	
45 mm	

#### End plate w. locking foot

Without cover	grey, left version
	grey, right version

#### Locking foot

	orange
	grey
With marking facilities	left version
	right version
Without marking facilities	left version
	right version
Central	Intermediate foot

#### End plate for direct mounting

Without cover	grey, left version
	grey, right version
	orange
	grey
For medium-high cover profile	orange
	grey
For high cover profile	orange
	grey

#### End plate for mounting rail installation

Without cover	orange
	grey
For medium-high cover profile	orange
	grey
For high cover profile	orange
	grey

Cover profile	Medium-high
	high

Screws

#### Note

## RS 70



Number of PCB per module	1
Thickness of PCB	1.6 (± 0.2) mm
Material	PA
Flammability class UL 94	V2
Colour of insulating material	orange

Type	Qty.	Order No.
ZW 5 RS OR	20	0119760000
ZW 15 RS OR	20	0119860000
ZW 25 RS OR	20	0126160000
ZW 30 RS OR	20	0119960000
ZW 45 RS OR	20	0120060000
RF RS 70 RE/A3/M.BEZ	20	0119560000
RF RS 70 LI/A2/O.SG	20	0119660000
RF RS 70 RE/A4/O.BEZ	20	0126260000
RF RS 70 MI/A6	20	0213760000

**Profile housing**  
**Technical data**

**RS 80**

- Chassis plus 4 screws available in two versions:
- Rail-mounted version
- 2 end plates for rail mounting
  - 2 or more clip-on feet
  - 1 extruded profile
  - 1 cover profile (if required) Direct-mount version
  - 2 end plates for direct mounting
  - 1 extruded profile
  - 1 cover profile (if required)

**Description**

3 heights are available for cover profile and end plates:

Rail mounting without cover:  
TS32 = 45 mm, TS35x7.5 = 40.5 mm

Rail mounting with low cover:  
TS32 = 72 mm, TS35x7.5 = 67.5 mm

Rail mounting with high cover:  
TS32 = 91 mm, TS35x7.5 = 86.5 mm

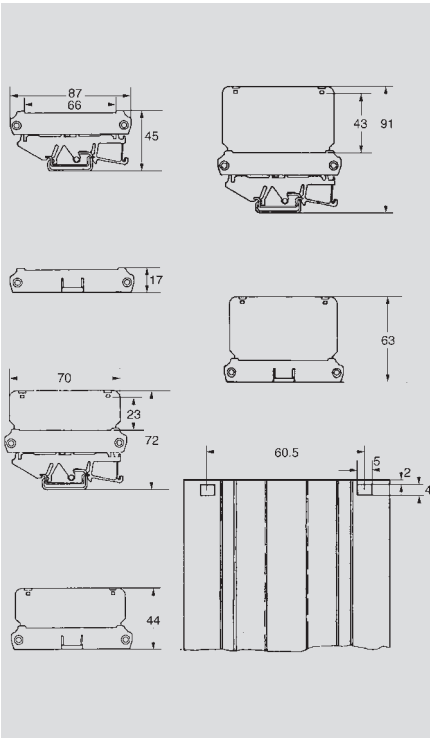
Direct mounting without/low/high cover:  
17 / 44 / 63 mm

Dimensions of PCB  
Thickness: 1.6 (±0.2) mm, width:  
67.8 (+0.2) mm

Size of RS segment = PCB length - 4.5 mm  
Size of ADP segment = PCB length - 2 mm

Example:  
PCB length 160 mm  
RS = 155.5 mm, ADP = 158 mm

**Dimensioned drawing**



**RS 80**



**Technical data**

General data	
Number of PCB per module	1
Thickness of PCB	1.6 (± 0.2) mm
Material	PVC/PA
Flammability class UL 94	V0
Colour of insulating material	orange
Note	

1	
1.6 (± 0.2) mm	
PVC/PA	
V0	
orange	

**Ordering data**

Extruded profile	
2000 mm	orange
2000 mm	grey
1000 mm	grey
155 mm	orange

Type	Qty.	Order No.
PF RS 80 OR 2000MM V0	1	4157440000
PF RS 80 GR 2000MM V0	1	4183130000

Intermediate piece	
5 mm	
15 mm	
25 mm	
30 mm	
45 mm	

End plate w. locking foot	
Without cover	grey, left version
	grey, right version

AP RF80 LI	V2	20	8156210000
AP RF80 RE	V2	20	8156200000

Locking foot	
	orange
	grey
With marking facilities	left version
	right version
Without marking facilities	left version
	right version
Central	Intermediate foot

RF 180	20	1324460000	
RF 180 GR	V2	20	1773400000

End plate for direct mounting	
Without cover	grey, left version
	grey, right version
	orange
	grey
For medium-high cover profile	orange
	grey
For high cover profile	orange
	grey

AP 80 D	V2	20	1324360000
AP 85 D	V2	20	1411060000
AP 86 D	V2	20	1411160000

End plate for mounting rail installation	
Without cover	orange
	grey
For medium-high cover profile	orange
	grey
For high cover profile	orange
	grey

AP 80	V2	20	1324260000
AP 80	V2	20	8320300000
AP 85	V2	20	1410860000
AP 86		20	1410960000

Cover profile 1000 mm	Medium-high
1000 mm	high
Screws	

ADP 5	V2	1	4167150000
ADP 6	V2	1	4167160000
LKSC M2.9x13VZ		100	4011200000

**Note**

Other lengths on request.

## RS 90

Chassis plus 4 screws available in two versions:

- 2 end plates
- 2 or more clip-on feet
- 1 extruded profile

### Description

Dimensions of PCB

Thickness: 1.6 (±0.2) mm, width: 79.8 (+0.2) mm

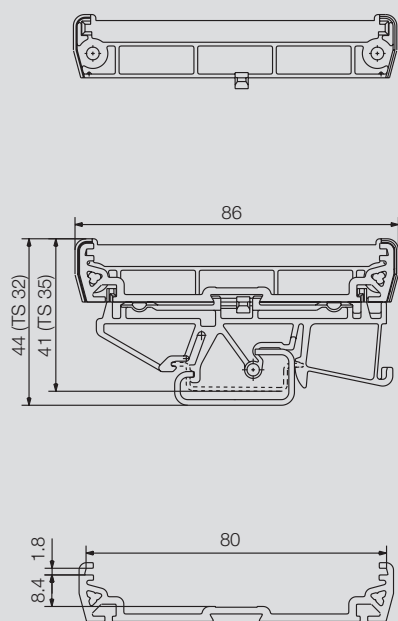
Size of RS segment = PCB length - 4.5 mm

Example:

PCB length 160 mm

RS = 155.5 mm

### Dimensioned drawing



## RS 90



### Technical data

#### General data

Number of PCB per module	
Thickness of PCB	
Material	
Flammability class UL 94	
Colour of insulating material	

#### Note

1

1.6 (± 0.2) mm

PVC/PA

V0

orange

### Ordering data

#### Extruded profile

2000 mm	orange
2000 mm	grey
1000 mm	grey
155 mm	orange

#### Intermediate piece

5 mm
15 mm
25 mm
30 mm
45 mm

#### End plate w. locking foot

Without cover	grey, left version
	grey, right version

#### Locking foot

	orange
	grey
With marking facilities	left version
	right version
Without marking facilities	left version
	right version
Central	Intermediate foot

#### End plate for direct mounting

Without cover	grey, left version
	grey, right version
	orange
	grey
For medium-high cover profile	orange
	grey
For high cover profile	orange
	grey

#### End plate for mounting rail installation

Without cover	orange
	grey
For medium-high cover profile	orange
	grey
For high cover profile	orange
	grey

Cover profile	Medium-high
	high

Screws

#### Note

Type	Qty.	Order No.
PF RS 90 OR 2000MM V0	1	4053240000
PF RS 90 GR 2000MM V0	1	4051810000

RF 180	V2	20	1324460000
RF 180 GR	V2	20	1773400000

AP 90 OR	V2	20	1961880000
AP 90 GR	V2	20	1961890000

LKSC M2.9x13VZ	100	4011200000
----------------	-----	------------

Other lengths on request.

**Profile housing**  
**Technical data**

**RS 100**

- Chassis plus 4 screws available in two versions:
- Rail-mounted version
- 2 end plates for rail mounting
  - 2 or more clip-on feet
  - 1 extruded profile
  - 1 cover profile (if required) Direct-mount version
  - 2 end plates for direct mounting
  - 1 extruded profile
  - 1 cover profile (if required)

**Description**

3 heights are available for cover profile and end plates:

Rail mounting without cover:  
TS32 = 45 mm, TS35x7.5 = 40.5 mm

Rail mounting with low cover:  
TS32 = 89 mm, TS35x7.5 = 84.5 mm

Rail mounting with high cover:  
TS32 = 121 mm, TS35x7.5 = 116.5 mm

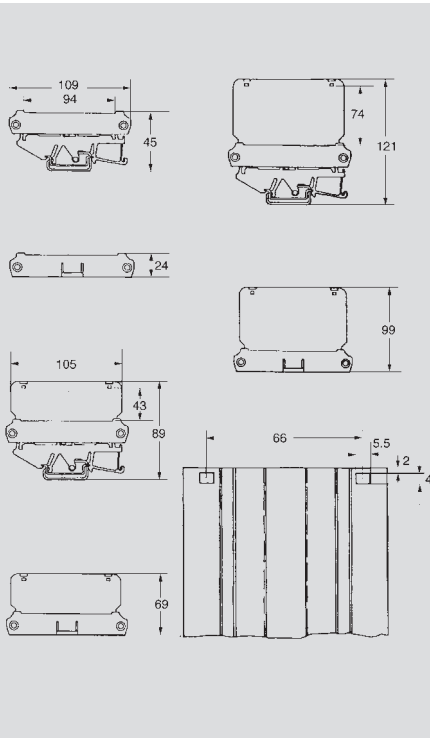
Direct mounting without/low/high cover:  
24 / 69 / 99 mm

Dimensions of PCB  
Thickness: 1.6 (±0.2) mm, width:  
100 (+0.5) mm

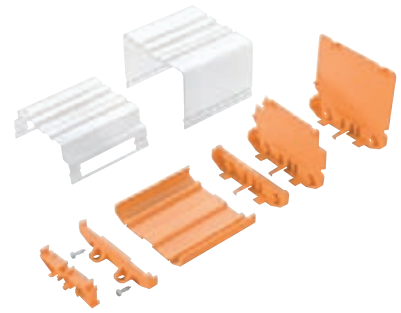
Size of RS segment = PCB length - 4.5 mm  
Size of ADP segment = PCB length - 1 mm

Example:  
PCB length 160 mm  
RS = 155.5 mm, ADP = 159 mm

**Dimensioned drawing**



**RS 100**



**Technical data**

General data	
Number of PCB per module	1
Thickness of PCB	1.6 (± 0.2) mm
Material	PVC/PA
Flammability class UL 94	V0
Colour of insulating material	orange / grey (Black on request)
Note	

1
1.6 (± 0.2) mm
PVC/PA
V0
orange / grey (Black on request)

**Ordering data**

Extruded profile	
2000 mm	orange
2000 mm	grey
100 0mm	grey
155 mm	orange

Intermediate piece	
5 mm	
15 mm	
25 mm	
30 mm	
45 mm	

End plate w. locking foot	
Without cover	grey, left version grey, right version

Locking foot	
	orange
	grey
With marking facilities	left version right version
Without marking facilities	left version right version
Central	Intermediate foot

End plate for direct mounting	
Without cover	grey, left version grey, right version

	orange
	grey
For medium-high cover profile	orange grey
For high cover profile	orange grey

End plate for mounting rail installation	
Without cover	orange grey
For medium-high cover profile	orange grey
For high cover profile	orange grey

Cover profile 2000 mm	Medium-high
2000 mm	high
Screws	

Note	
Other lengths on request.	

Type	Qty.	Order No.
PF RS 100 OR 2000MM A.1	V0 1	4144870000
PF RS 100 GR 2000MM A.1	V0 1	4010870000

PF RS 100 A.1 OR 155.5	V0 25	4148400000
------------------------	-------	------------

RF 180	V2 20	1324460000
RF 180 GR	V2 20	1773400000

AP 100 D	V2 20	1185160000
----------	-------	------------

AP 110 D	V2 10	1185360000
----------	-------	------------

AP 111 D	V2 10	1185560000
----------	-------	------------

AP 100	V2 20	1185060000
--------	-------	------------

AP 110	V2 10	1185260000
--------	-------	------------

AP 111	V2 10	1185460000
--------	-------	------------

ADP 10	V2 1	4169320000
--------	------	------------

ADP 11	V2 1	4169330000
--------	------	------------

PTSC KB40X14	100	4019420000
--------------	-----	------------

Note		
Other lengths on request.		



## RS 122

Housing construction (plus 4 screws):

available as a rail mounting version  
(TS mounting)

- 2 end plates for rail mounted assembly with locking foot
- 2 or more locking feet
- additional intermediate foot
- 1 Extruded profile

### Description

Takes PCB in 2 positions

Dimensions of the PCB

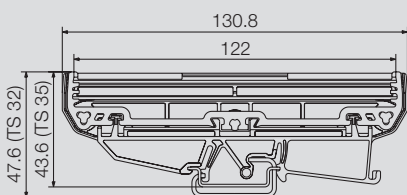
Thickness: 1.6 (±0.2) mm, width: +0.5 mm  
i.e. length RS section = PCB length - 5 mm

Example:

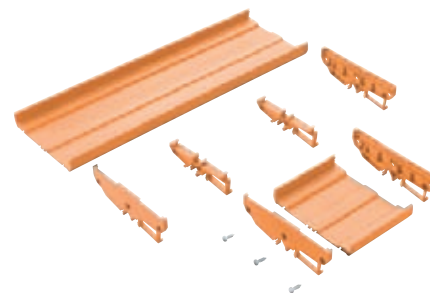
PCB length 160 mm,

RS section = 160 mm - 5 mm = 155 mm

### Dimensioned drawing



## RS 122



### Technical data

#### General data

Number of PCB per module  
Thickness of PCB  
Material  
Flammability class UL 94  
Colour of insulating material

1

1.6 (± 0.2) mm

PVC/PA

V0

orange

#### Note

### Ordering data

#### Extruded profile

2000 mm	orange
2000 mm	grey
1000 mm	grey
155 mm	orange

#### Intermediate piece

5 mm  
15 mm  
25 mm  
30 mm  
45 mm

#### End plate w. locking foot

Without cover	grey, left version
	grey, right version

#### Locking foot

	orange
	grey
With marking facilities	left version
	right version
Without marking facilities	left version
	right version
Central	Intermediate foot

#### End plate for direct mounting

Without cover	grey, left version
	grey, right version
	orange
	grey
For medium-high cover profile	orange
	grey
For high cover profile	orange
	grey

#### End plate for mounting rail installation

Without cover	orange, left version
	orange, right version
	grey
For medium-high cover profile	orange
	grey
For high cover profile	orange
	grey

Cover profile	Medium-high
	high

Screws

#### Note

Type	Qty.	Order No.
PF RS 122 OR 2000MM	10	1155940000

RF 108 OR	20	1020690000
-----------	----	------------

AP RF 122 LI OR	20	1020640000
-----------------	----	------------

AP RF 122 RE OR	20	1020650000
-----------------	----	------------

Other lengths on request.



# OMNIMATE Housing Accessories

---

## OMNIMATE Housing Accessories

Mounting foot	J.2
Identification systems	J.2
Screwdrivers	J.3

---

## Mounting foot / Identification systems

### MTA 45

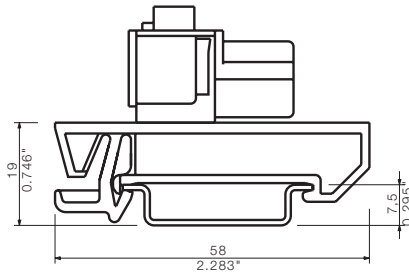
Snap-on foot for terminal rail



The MTA 45 mounting adapter enables many different modules (of at least 48 mm in width) to be securely attached to a terminal rail. The adapter, made of fibreglass-reinforced polyamide, ensures high stability and secure fixity to the terminal rail. It is assembled by simply clipping on, and disassembled by pushing up and tilting the module. No tools are required for this.

### MOFU

Mounting foot



### WS 10/5

### WS 12/5

MultiCard marking



- WS 10/5 = 10 mm long x 5 mm wide
- WS 12/5 = 12 mm long x 5 mm wide
- Delivered as MultiCard 5 mats with 144 markers

J

#### Ordering data

Snap-on foot for TS 35		black
Type	Qty	Order No.
MTA 45 BK	10	1962250000

#### Ordering data

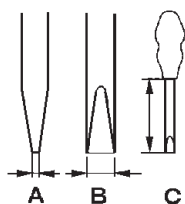
Colour		black
Type	Qty	Order No.
Mounting foot Mofu	20	0646210000

#### Ordering data

Type	Length mm	Order No.
WS 10/5	10	1635000000
WS 12/5	12	1609860000

**SDI**

VDE-insulated slotted screwdriver



**VDE-insulated slotted screwdriver, SDI**

- DIN 7437, ISO 2380/2
- Output acc. to DIN 5264, ISO 2380/1
- SoftFinish handle

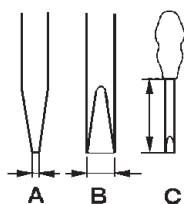


**Ordering data**

Type	Dims (mm)	A	B	C	Order No.
SDI	0,4	2,5	75		9008370000
SDI	0,5	3,0	100		9008380000
SDI	0,6	3,5	100		9008390000
SDI	0,8	4,0	100		9008400000
SDI	1,0	4,5	125		9008910000
SDI	1,0	5,5	125		9008410000
SDI	1,2	6,5	150		9008420000
SDI	1,6	8,0	175		9008430000

**SD**

Slotted screwdriver with round blade



**Slotted screwdriver with round blade, SD**

- DIN 5265, ISO 2380/2
- Output acc. to DIN 5264, ISO 2380/1
- ChromTop tip
- SoftFinish handle



**Ordering data**

Type	Dims (mm)	A	B	C	Order No.
SD	0,4	2,5	75		9009030000
SD	0,5	3,0	80		9008320000
SD	0,6	3,5	100		9008330000
SD	0,8	4,0	100		9008340000
SD	0,8	4,5	125		9009020000
SD	1,0	5,5	150		9008350000
SD	1,2	6,5	150		9009010000

**Tension clamp terminal tool**

Tool for PCB terminals with tension clamp connections



SD 0.6 x 3.5 x 100  
(DIN 5264-A)

You do not need any special tool to connect or disconnect our tension clamp connections. The opening is designed to accommodate a standard 0.6 x 3.5 x 100 screwdriver to DIN 5264-A (with flat blade), also available from Weidmüller.

**SDK PH**

Crosshead screwdriver



**Crosshead screwdriver PH (Philips)**

- SDK PH DIN 5262, ISO 8764/2-PH
- Output acc. to ISO 8764-PH
- ChromTop tip
- SoftFinish grip



**Crosshead screwdriver PZ (Pozidrive)**

- SDK PZ DIN 5262, ISO 8764/2-PZ
- Output acc. to ISO 8764-PZ
- ChromTop tip
- SoftFinish grip



**Ordering data PH**

Type	Dims (mm)	A	B	C	Order No.
SDK PH0	0			60	9008470000
SDK PH1	1			80	9008480000
SDK PH2	2			100	9008490000
SDK PH3	3			150	9008500000

**Ordering data PZ**

Type	Dims (mm)	A	B	C	Order No.
SDK PZ0	0			60	9008520000
SDK PZ1	1			80	9008530000
SDK PZ2	2			100	9008540000
SDK PZ3	3			150	9008550000

